



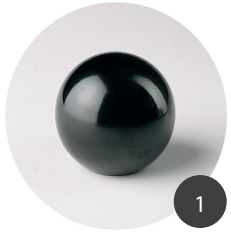
Industrial Components

Adjustable Feet,
Hand Wheels, Knobs,
Levers, Tools





1101



1102



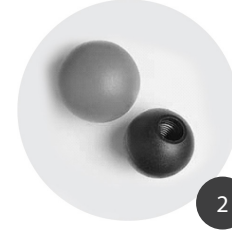
1105



1106



1111



4706



1112



1113



1115



1117



1118



1118



1120



1120



1121



1121



1121



1121



1126



1138



1195



1124



1124



1125



1125



1126



1126



1131



1184



1133



1133



1133



1134



1134



1139



1139



1138C



1138K



1138D



1138K



1138



1195



1195



1195



1196



1196



1196



Male Scallop Edge



4701



4701



4725



4702T



4702T S.S.



4702K



4702D SS/B



1168K



1168T



3813T



4707C



4707T



3323 Alu



3707 SS



3320 Alu



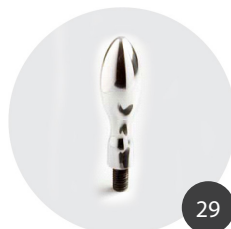
3711 SS



4725



3740



3310



3314



1136



1137



4735



1141



1144

31



1145

31



1153

32



1157

32



1161

32



1155

33



1156

33



1160

33



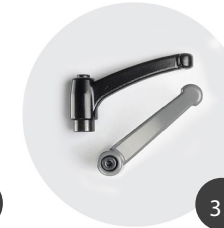
1198

34



1198

34



4750

35



4750

35



4715

36



4716K

36



4142

37



4143

37



4144

37



4718

37



4717

38



4708

38



4709

38



4246

39



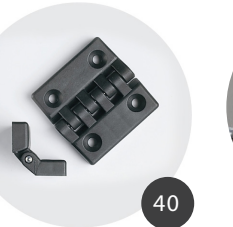
4754K

39



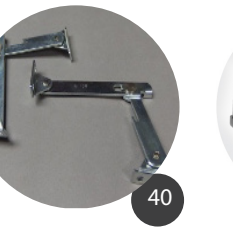
4755

39



4756

40



Lid Stay

40



Tecnodin

41



Tecnodin

41



Tecnodin

42



Martin Levelling

43 44



4121

45



4117

45



4122

46



4123

46



4112

47



4110/4111

47



Rubber pad

48



1188

48



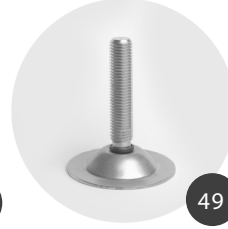
30/40 Dia.

48



30/35 Dia.

49



8208

49



4204 60 Dia.

50



4204 80/102 Dia.

50



4201

51



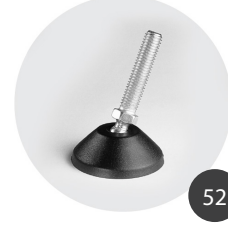
4202 zinc

51



1190

52



1189

52



4202 121 Dia.

53



83 Dia.

53



40 Dia.

54



50 Dia.

54



50 Dia.

55



65 Dia.

55



83 Dia.

56



103 Dia.

57



123 Dia.

57



40 Dia. SS

58



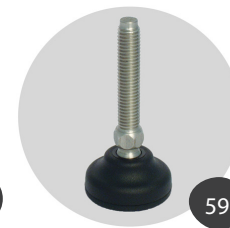
4201 S.S

58



50 Dia. SS

59



40 Dia. SS

59



50 Dia. SS 12soc

60



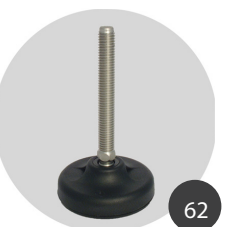
50 Dia. SS 15soc

60



65 Dia. SS

61



83 Dia. SS

62



103 Dia. SS

63



123 Dia. SS

63



4205/4206 zinc

64



85 Dia.

65



124 Dia.

65



4205/4206 SS

66



50 Dia. SS

67



80 Dia. SS

67

Please contact us for prices, samples and availability



80 Dia. SS

68



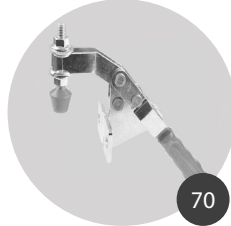
100 Dia. SS

68



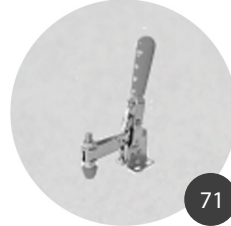
111

69



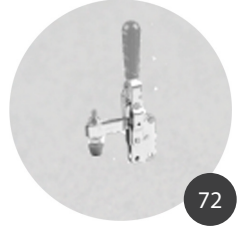
133

70



211

71



212

72



222

72



232

73



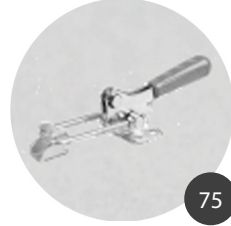
241

73



251

74



311

75



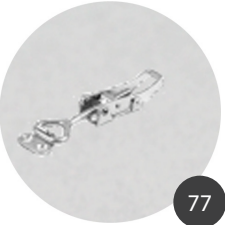
321

76



341

76



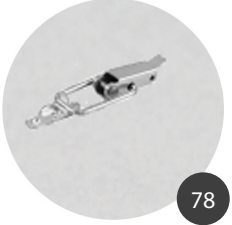
361

77



362

77



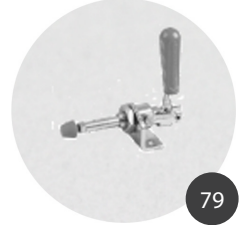
363

78



411

78



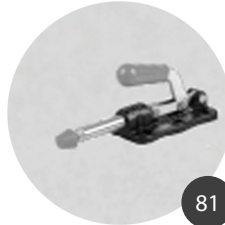
511

79



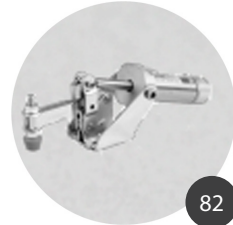
521

80



532

81



611

82



651

83



811

84

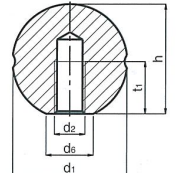
1101 - Ball Knobs - Grooved

Available with Moulded Threads & Brass Inserts • Black Duroplast

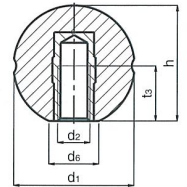
Part Number	d1	d2	d6	t1	t3	h
11-KPBG20M5	20	M5	12	8	9	18
11-KPBG20B5	20	M5	12	8	9	18
11-KPBG25M6	25	M6	15	10	10	23
11-KPBG25B6	25	M6	15	10	10	23
11-KPBG30M8	30	M8	16	14	14	27
11-KPBG30B8	30	M8	16	14	14	27
11-KPBG35M10	35	M10	19	16	17	32
11-KPBG35B10	35	M10	19	16	17	32
11-KPBG40M10	40	M10	22	16	17	37
11-KPBG40B10	40	M10	22	16	17	37
11-KPBG45M12	45	M12	20	18	19	43
11-KPBG45B12	45	M12	20	18	19	43
11-KPBG50M12	50	M12	20	18	19	47
11-KPBG50B12	50	M12	20	18	19	47



Moulded thread – M
i.e. 11-KPBG20M5



Threaded Brass insert
– B i.e. 11-KPBG20B5



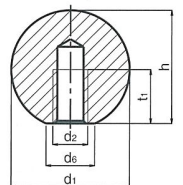
1102 - Ball Knobs - Smooth

Available with Moulded Threads & Threaded Brass Inserts • Black Duroplast

Part Number	d1	d2	d6	t1	t3	h
11-KPBB16M4	16	M4	8	6	6	15
11-KPBB16B4	16	M4	8	6	6	15
11-KPBB20B5	20	M5	12	8	9	18
11-KPBB20M5	20	M5	12	8	9	18
11-KPBB20B8	20	M5	12	8	9	18
11-KPBB25M6	25	M6	15	10	10	23
11-KPBB25B6	25	M6	15	10	10	23
11-KPBB30M8*	30	M8	16	14	14	27
11-KPBB30B8	30	M8	16	14	14	27
11-KPBB35M10*	35	M10	19	16	17	32
11-KPBB35B10	35	M10	19	16	17	32
11-KPBB40M10*	40	M10	22	16	17	37
11-KPBB40B10	40	M10	22	16	17	37
11-KPBB45M12	45	M12	20	18	19	43
11-KPBB45B12	45	M12	22	18	19	43
11-KPBB45B10	45	M12	20	18	19	43
11-KPBB50M12	50	M12	20	18	19	47
11-KPBB50B12	50	M12	20	18	19	47



Moulded thread – M
i.e. 11-KPBB16M4



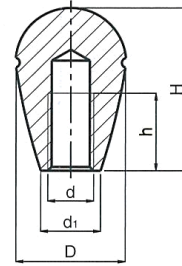
Brass Insert – B
i.e. 11-KPBB16B4

*Available in red

1105 - Phenolic Knob - Grooved

Black Duroplast • Moulded Thread

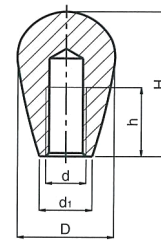
Part Number	D	H	d	d1	h
11-KPPBG19M5	19	30	M5	10	8
11-KPPBG22M6	22	34	M6	13	14
11-KPPBG29M8	29	44	M8	15	16
11-KPPBG35M10	35	51	M10	16	20
11-KPPBG37M10	37	58	M10	17	25



1106 - Phenolic Knob - Plain

Black Duroplast • Moulded Thread

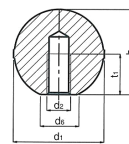
Part Number	D	H	d	d1	h
11-KPPB19M5	19	30	M5	10	8
11-KPPB22M6	22	34	M6	13	14
11-KPPB29M8	29	44	M8	15	16
11-KPPB35M10	35	51	M10	16	20
11-KPPB37M10	37	58	M10	17	25



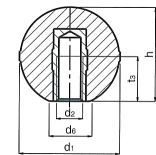
1111 - Ball Knob - with Grip

Available with Moulded Threads & Threaded Brass Inserts • Available in Black

Part Number	d1	d2	d6	t1	t3	h
11-KPBB15M4G	15	M4	8	7	-	14
11-KPBB25M6G	25	M6	15	10	10	23
11-KPBB30M8G	30	M8	16	14	14	27
11-KPBB35B10G	35	M10	19	16	-	32
11-KPBB35M10G	35	M10	19	16	17	32
11-KPBB50M12G	50	M12	20	18	19	47



Brass Insert – B
i.e. 11-KPBB15B4G



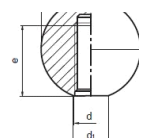
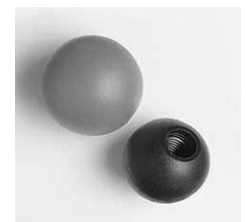
Moulded thread – M
i.e. 11-KPBB15M4G



4706 - Plastic Ball Knobs

Moulded Thread • PA: Polyamide

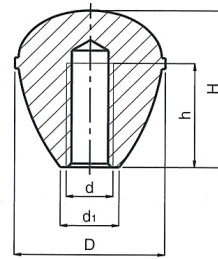
Part Number	D	d	d1	e
11-KPBP15M4	15	M4	8	8
11-KPBP20M5	20	M5	10	12
11-KPBP25M6	25	M6	14	16
11-KPBP30M8	30	M8	14	20
11-KPBP35M10	35	M10	16	23
11-KPBP40M10	40	M10	16	28
11-KPBP45M12	45	M12	18	30
11-KPBP50M12	50	M12	18	36



1112 - Phenolic Knob - Oval

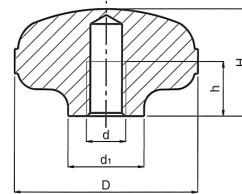
Black Duroplast • Moulded Thread

Part Number	D	H	d	d1	h
11-KPPBO19M5	19	18	M5	9	8
11-KPPBO23M6	23	23	M6	11	14
11-KPPBO26M6	26	25	M6	12	14
11-KPPBO31M8	31	29	M8	14	16
11-KPPBO35M10	35	35	M10	16	20
11-KPPBO41M10	41	39	M10	18	20
11-KPPBO48M12	48	48	M12	21	24

**1113 - Phenolic Knob - Tapered**

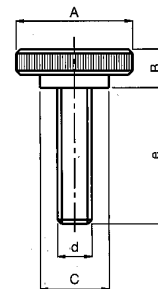
Black Duroplast • Moulded Thread

Part Number	D	H	d	d1	h
11-KPPBT26M6	26	15	M6	10	12
11-KPPBT31M8	31	19	M8	13	15
11-KPPBT41M10	41	24	M10	17	15

**1115 - Knurled Knob**

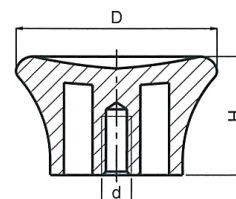
Black Acetate Resin • Treated Steel Stud • Also available in Red, Grey and other sizes

Part Number	A	B	C	d	e
11-KKPB09S3-12	9.5	5	8	M3	12
11-KKPB13S4-14	13	6	10	M4	14
11-KKPB16S5-16	16	7	12	M5	16
11-KKPB19S6-20	19	7	13	M6	20
11-KKPB26S6-20	26	9	16	M6	20
11-KKPB26S8-25	26	9	16	M8	25

**1117 - Phenolic Knob - Lid**

Black Duroplast • Moulded Thread

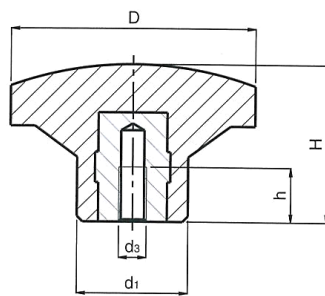
Part Number	D	H	d
11-KPPBL33M6	33	16	1/4"W
11-KPPBL41M6	41	18	1/4"W



1118 - Knobs - Star Stub - Female

Black Duroplast • Threaded Female Brass Insert • Also available with Treated Steel Insert

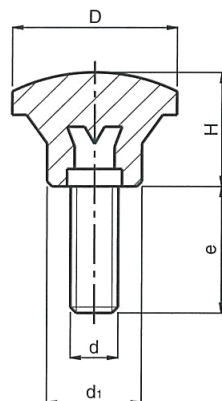
Part Number	D	H	d1	d3	h
11-KPSB22B6	22	19	12	M6	10
11-KPSB33B6	33	23	19	M6	10
11-KPSB33B8	33	23	19	M8	14
11-KPSB44B8	44	27	23	M8	14
11-KPSB44B10	44	27	23	M10	17
11-KPSB55B10	55	33	25	M10	17
11-KPSB66B12	66	42	30	M12	19



1118 - Knobs - Star Stub - Male

Black Duroplast • Treated Steel Stud

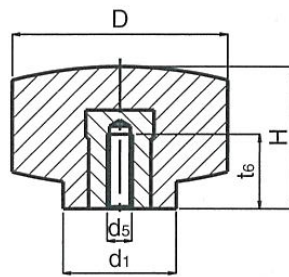
Part Number	D	H	d	e	d1
11-KPSB22S5-20	22	19	M5	20	12
11-KPSB22S6-20	22	19	M6	20	12
11-KPSB33S6-15	33	23	M6	15	19
11-KPSB44S8-15	44	27	M8	15	23
11-KPSB44S8-27	44	27	M8	27	23
11-KPSB55S10-33	55	34	M10	33	25
11-KPSB66S12-40	66	42	M12	45	30



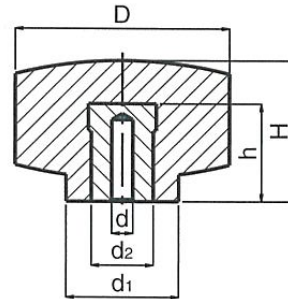
1120 - Knobs - Forza - Female

Black Duroplast • Threaded Female Brass Insert • Also available with Treated Steel Insert

Part Number	D	H	d	d5	h	t6	d1	d2
11-KPFB25S5	25	19	5.25	-	15	-	16	12
11-KPFB25B6	25	19	-	M6	-	10	16	-
11-KPFB32S5	32	22	5.25	-	15	-	18	12
11-KPFB32B6	32	22	-	M6	-	10	18	-
11-KPFB40S5	40	27	5.25	-	17	-	21	14
11-KPFB40B8	40	27	-	M8	-	14	21	-
11-KPFB63S5	63	34	5.25	-	21	-	28	16
11-KPFB63B10	63	34	-	M10	-	17	28	-



Brass insert – B
eg. 11-KPFB25B6

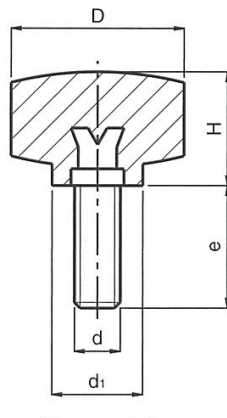


Treated Steel insert – S
eg. 11-KPFB25S6

1120 - Knobs - Forza - Male

Black Duroplast • Treated Threaded Steel Stud

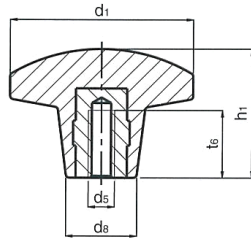
Part Number	D	H	d	e	d1
11-KPFB25S6-20	25	19	M6	20	16
11-KPFB32S6-25	32	22	M6	25	18
11-KPFB40S8-27	40	27	M8	27	21
11-KPFB50S10-33	50	32	M10	33	23
11-KPFB63S12-40	63	34	M12	40	28



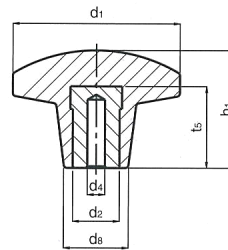
1121 - Knobs - Star - Female

Black Duroplast • Threaded Female Brass Insert • Also available with Treated Steel Insert

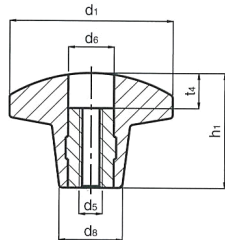
Part Number	d1	d2	d4	d5	d6	d8	h1	t4	t5	t6
11-KPD5B20B4	20	-	-	M4	-	10	14	-	-	8
11-KPD5B20B4O	20	-	-	M4	4.3	10	14	6	-	-
11-KPD5B32B6	32	-	-	M6	-	14	20	-	-	10
11-KPD5B32B6O	32	-	-	M6	6.4	14	20	10	-	-
11-KPD5B40B8	40	-	-	M8	-	-	26	-	-	14
11-KPD5B40B8O	40	-	-	M8	8.4	18	26	12	-	-
11-KPD5B40S5	40	12	5.25	-	-	18	26	-	15	-
11-KPD5B40S5O	40	12	5.25	-	8.4	18	26	-	-	14
11-KPD5B50S5	50	14	5.25	-	-	22	32	-	17	-
11-KPD5B50S5O	50	14	5.25	-	10.5	22	32	-	-	17
11-KPD5B63S5	63	16	5.25	-	-	26	38	-	21	-
11-KPD5B63S5O	63	16	5.52	-	13	26	38	-	-	19



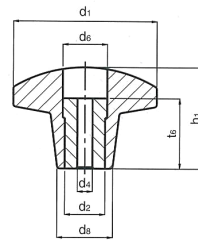
Brass insert – B
eg. 11- KPD5B20B4



Treated Steel insert – S
eg. 11- KPD5B40S8



Brass insert open-O
eg. 11-KPD5B20B4O

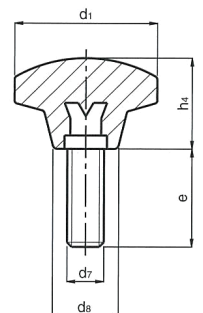


Treated Steel insert open – O
eg. 11- KPD5B40S8O

1121- Knobs - Star - Male

Black Duroplast • Treated Threaded Steel Stud

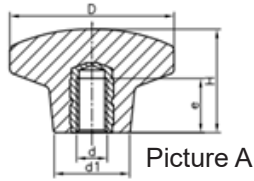
Part Number	d1	h4	d7	e	d8
11-KPD5B20S4-15	20	14	M4	15	10
11-KPD5B25S5-20	25	15	M5	20	12
11-KPD5B32S6-20	32	20	M6	20	14
11-KPD5B32S6-40	32	20	M6	40	14
11-KPD5B40S8-27	40	26	M8	27	18
11-KPD5B40S8-47	40	26	M8	47	18
11-KPD5B50S10-44	50	32	M10	44	22
11-KPD5B63S12-40	63	38	M12	40	26



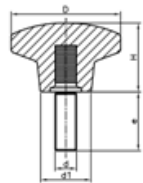
Imperial Range - 1121 Series Knobs - Star

Black Duroplast

Part Number	D	H	d	d1	e
11-KPD5B32B1/4F- relates to picture A •	32	20	1/4-20	14	10
11-KPD5B40B1/4M- relates to picture B •	40	26	1/4-20	18	32
11-KPD5B32SS1/4F-relates to picture A *	32	20	1/4-20	14	10
11-KPD5B40SS5/16F-relates to picture A *	40	26	5/16-18	18	14
11-KPD5B50SS3/8F - relates to picture A *	50	32	3/8/16	22	17



Picture A



Picture B

- Brass thread / stud
- * Stainless steel thread

Imperial Range - 1126 Series Knobs - Star

Black Duroplast

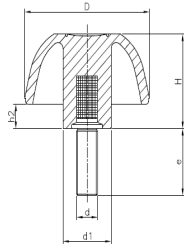
Part Number	D	H	d	d1	e
11-KPD6B32U14	32	20	1/4-20	13	32



Imperial Range - 1138 MTC T with Threaded Stud

Treated Threaded Steel Stud

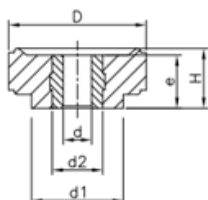
Part Number	D	H	d1	d	e	h2
11-KPMB32S14-13	32	20	13	1/4-20	12.7	5



Imperial Range - 1195 Series - Phenolic Knob

Black Duroplast • Brass threaded through hole insert

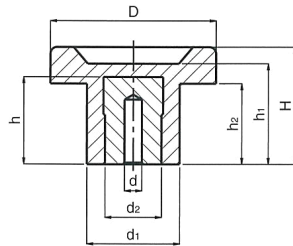
Part Number	D	H	d	d1	e
11-KPLB24S1/4"O	24	13	1/4-20	14	11



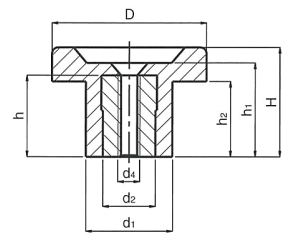
1124 - Knobs - FZ - Female

Black Duroplast • Threaded Female Brass Insert • Also available with Treated Steel Insert

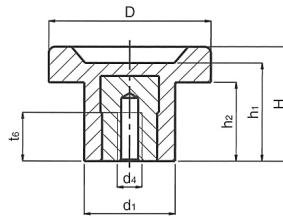
Part Number	D	H	d	d4	h	t6	d2	h1	h2	d1
11-KPFB30B6	30	25	-	M6	-	10	-	24	16	20
11-KPFB30S5	30	25	5.25	-	17	-	14	24	16	20
11-KPFB30S6O	30	25	-	M6	17	-	14	24	16	20
11-KPFB45B8	45	28	-	M8	-	14	-	25	17	24
11-KPFB45S5	45	28	5.25	-	21	-	16	25	17	24
11-KPFB45S8O	45	28	-	M8	21	-	16	25	17	24



Brass insert – B
eg. 11- KPFB30B6



Treated Steel insert open - S
eg. 11-KPFB30S6O

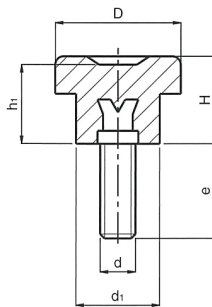
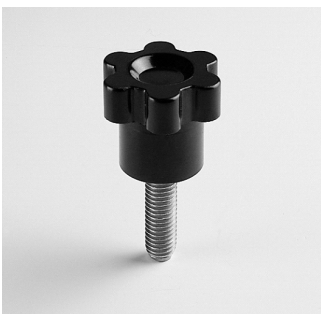


Treated Steel insert – S
eg. 11- KPFB30S6

1124 - Knobs - FZ - Male

Black Duroplast • Treated Threaded Steel Stud

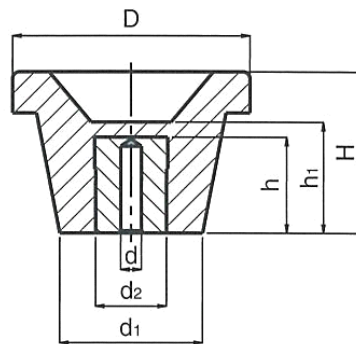
Part Number	D	H	d	e	d1	h1
11-KPFB30S8-27	30	25	M8	27	20	24
11-KPFB45S10-33	45	28	M10	33	24	25
11-KPFB60S12-40	60	32	M12	40	28	28



1125 - Knob CL Phenolic - Female

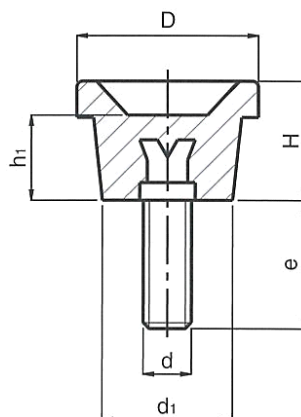
Black Duroplast • Treated Steel Insert

Part Number	D	H	d	h	d2	h1	d1
11-KPCLB37S5	37	30	5.25	17	14	21	22
11-KPCLB44S5	44	34	5.25	17	14	24	26
11-KPCLB52S5	52	36	5.25	21	16	25	31
11-KPCLB60S5	60	41	5.25	21	16	27	36
11-KPCLB70S5	70	44	5.25	22	18	29	38
11-KPCLB80S5	80	45	5.25	22	18	30	37
11-KPCLB90S5	90	46	5.25	22	18	31	40

**1125 - Knob CL Phenolic - Male**

Black Duroplast • Treated Steel Stud

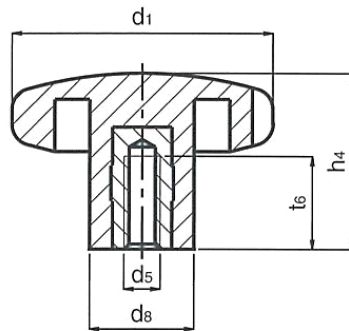
Part Number	D	H	d	e	d1	h1
11-KPCLB37S8-27	37	30	M8	27	22	21
11-KPCLB44S10-33	44	34	M10	33	26	24
11-KPCLB52S10-33	52	36	M10	33	31	25
11-KPCLB60S12-40	60	41	M12	40	36	27
11-KPCLB70S12-45	70	44	M12	45	38	29
11-KPCLB80S16-55	80	45	M16	55	37	30
11-KPCLB90S20-63	90	46	M20	63	40	31



1126 - Knobs - Star - Female

Black Duroplast • Threaded Female Brass Insert

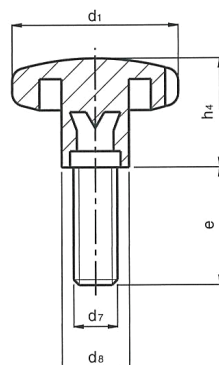
Part Number	d1	h4	d5	t6	d8
11-KPD6B20B4	20	13	M4	8.5	10
11-KPD6B25B5	25	16	M5	9	12
11-KPD6B32B6	32	20	M6	10	13
11-KPD6B40B8	40	25	M8	14	19
11-KPD6B50B10	50	32	M10	17	20
11-KPD6B63B12	63	40	M12	19	23
11-KPD6B80B16	80	50	M16	27	30



1126 - Knobs - Star - Male

Black Duroplast • Treated Threaded Steel Stud

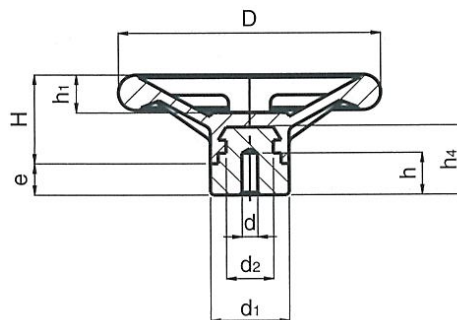
Part Number	d1	h4	d7	e	d8
11-KPD6B20S4-15	20	13	M4	15	10
11-KPD6B25S5-20	25	16	M5	20	12
11-KPD6B32S6-20	32	20	M6	20	13
11-KPD6B32S6-40	32	20	M6	40	13
11-KPD6B40S8-27	40	25	M8	27	19
11-KPD6B40S8-47	40	25	M8	47	19
11-KPD6B50S10-44	50	32	M10	44	20
11-KPD6B50S10-64	50	32	M10	64	20
11-KPD6B63S12-40	63	40	M12	40	23
11-KPD6B63S12-60	63	40	M12	60	23
11-KPD6B80S16-55	80	50	M16	55	30
11-KPD6B80S16-75	80	50	M16	75	30



1131 - Phenolic Four Spoke Hand Wheel

Black Duroplast • Treated Steel Insert

Part Number	D	H	d	h	d2	h4	d1	e	h1
11-HWSB100S5	100	30	5.25	20	18	26	30	16	15
11-HWSB125S8	125	28	8	25	28	32	40	22	14
11-HWSB150S10	150	48	10	30	30	55	50	30	18
11-HWSB175S10*	175	49	10	30	30	55	50	30	20
11-HWSB200S10	200	70	10	30	30	55	50	30	26
11-HWSB300S10	300	86	10	30	34	60	60	18	30

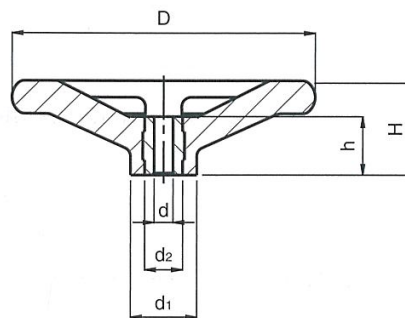


*Available with threaded smooth hole hub and threaded seat for handle part number #11-HWSB175S10H

1184 - Valve Phenolic Hand Wheel

Black Duroplast • Treated Steel Insert

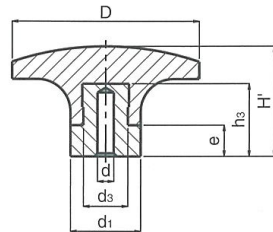
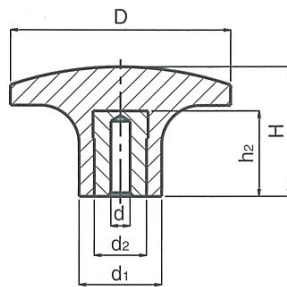
Part Number	D	H	d	h	d2	d1
11-HWVB128S10	128	38	10	21	20	30
11-HWVB150S10	150	61	10	31	20	34
11-HWVB160S10	160	50	10	31	22	35
11-HWVB200S10	200	54	10	31	30	48
11-HWVB250S10	250	61	10	31	30	50



1133 - Knob Three Prong - Female

Black Duroplast • Treated Steel Insert

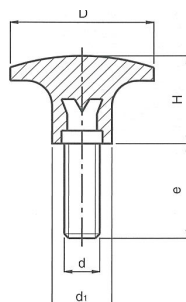
Part Number	D	H	d	h2	h3	d	d1	d2	d3	e
11-KPTP30S5	30	17	-	12	-	5.25	11	8	-	-
11-KPTP40S5	40	22	-	14	-	5.25	15	10	-	-
11-KPTP50S5	50	26	-	17	-	5.25	20	14	-	-
11-KPTP60S5	60	30	-	21	-	5.25	25	16	-	-
11-KPTP30S5S	30	-	18	-	14	5.25	11	-	8	6
11-KPTP40S5S	40	-	24.5	-	18	5.25	15	-	11	8
11-KPTP50S5S	50	-	29	-	22	5.25	20	-	15	11
11-KPTP60S5S	60	-	34	-	29	5.25	25	-	19	15



1133 - Knob Three Prong - Male

Black Duroplast • Treated Threaded Steel Stud

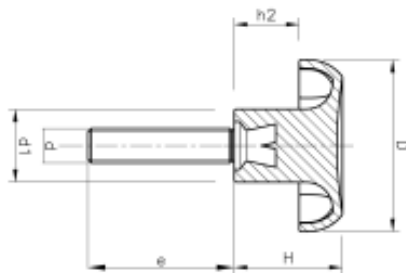
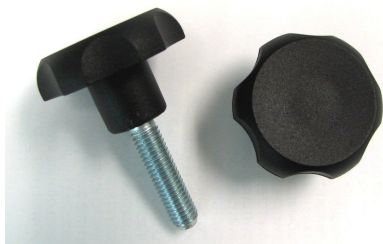
Part Number	D	H	d	e	d1
11-KPTP30S6-25	30	17	M6	25	11
11-KPTP40S8-33	40	22	M8	33	15
11-KPTP50S10-33	50	26	M10	33	20
11-KPTP60S12-40	60	30	M12	40	25



1134 - Knobs - Cap - Male

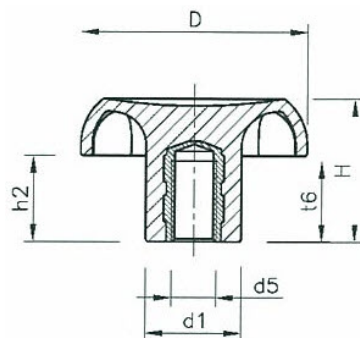
Black or Orange Reinforced Thermoplastic • Treated Threaded Steel Stud

Part Number	D	H	d1	d	e	h2
11-KCPB32S6-20	32	20	13.5	M6	10	11
11-KCPB32S6-15	32	20	13.5	M6	15	11
11-KCPB32S6-20	32	20	13.5	M6	20	11
11-KCPB32S6-30	32	20	13.5	M6	30	11
11-KCPB32S8-27	32	20	13.5	M8	27	11
11-KCPB40S6-15	40	25	17	M6	15	15
11-KCPB40S6-20	40	25	17	M6	20	15
11-KCPB40S6-30	40	25	17	M6	30	15
11-KCPB40S6-40	40	25	17	M6	40	15
11-KCPB40S8-15	40	25	17	M8	15	15
11-KCPB40S8-20	40	25	17	M8	20	15
11-KCPB40S8-33	40	25	17	M8	33	15
11-KCPB40S8-40	40	25	17	M8	40	15
11-KCPB40S8-47	40	25	17	M8	47	15
11-KCPB40S10-20	40	25	17	M10	20	15
11-KCPB40S10-33	40	25	17	M10	33	15
11-KCPB40S10-44	40	25	17	M10	44	15

**1134 - Knobs - Cap - Female**

Black or Orange Thermoplastic • Threaded Female Brass Insert

Part Number	D	H	d1	d5	t6	h2
11-KCPB32B5	32	20	13.5	M5	9	11
11-KCPB32B6	32	20	13.5	M6	10	11
11-KCPB40B6	40	25	17	M6	10	15
11-KCPB40B8	40	25	17	M8	14	15
11-KCPB40B10	40	25	17	M10	17	15

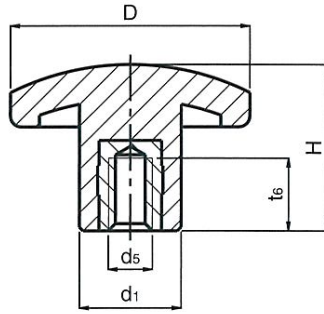


1139K - Knob Starplast Thermoplastic - Female

Black or Orange Thermoplastic • Threaded Female Brass Insert

Part Number	D	H	d5	t6	d1
11-KPSPX33B6	33	22	M6	10	14
11-KPSPX33B8	33	22	M8	14	14

11-KPMX X = B - Black
O - Orange

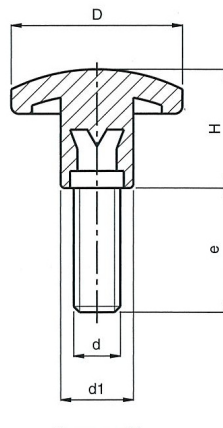


1139T - Knob Starplast Thermoplastic - Male

Black or Orange Thermoplastic • Treated Threaded Steel Stud

Part Number	D	H	d	e	d1
11-KPSPX33S6-15	33	22	M6	15	14
11-KPSPX33S6-20	33	22	M6	20	14
11-KPSPX33S6-30	33	22	M6	30	14
11-KPSPX33S6-40	33	22	M6	40	14
11-KPSPX33S8-20	33	22	M8	20	14
11-KPSPX33S8-27	33	22	M8	27	14
11-KPSPX33S8-47	33	22	M8	47	14

11-KPMX X = B - Black
O - Orange

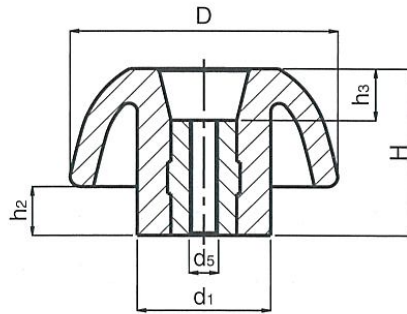


1138D - Knob MTC Thermoplastic - Female 1137

Black or Orange Reinforced Thermoplastic • Threaded Female Brass Insert Open

Part Number	D	H	d1	d5	t6	h2	h3
11-KPMX25B6O	25	16	13	M6	10	5	5
11-KPMX32B6O	32	20	15	M6	10	6	6
11-KPMX40B6O	40	25	16	M6	10	8	11
11-KPMX40B8O	40	25	16	M8	14	8	11
11-KPMX40B10O	40	25	16	M10	17	8	11
11-KPMX50B8O	50	31	21	M8	14	9	17
11-KPMX50B10O	50	31	21	M10	18	9	17
11-KPMX63B10O	63	39	23	M10	17	12	16
11-KPMX63B12O	63	39	23	M12	19	12	16

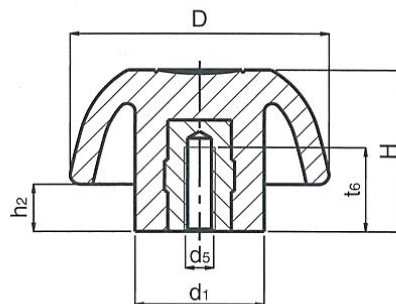
11-KPMX X = B - Black
O - Orange



1138K - Knob MTC Thermoplastic - Female

Black Thermoplastic • Threaded Stainless Steel Inserts

Part Number	D	H	d1	d5	t6	h2
11-KPMB32SS6	32	20	15	M6	10	6
11-KPMB40SS8	40	25	16	M8	14	8
11-KPMB50SS10	50	31	21	M10	18	9

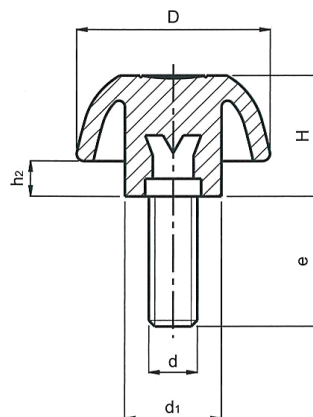


1138T - Knob MTC Thermoplastic - Male

Black or Orange Reinforced Thermoplastic • Treated Threaded Steel Stud

Part Number	D	H	d1	d	e	h2
11-KPMX25S4-15	25	16	13	M4	15	5
11-KPMX25S5-20	25	16	13	M5	20	5
11-KPMX25S6-20	25	16	13	M6	20	5
11-KPMX32S6-10	32	20	15	M6	10	6
11-KPMX32S6-20	32	20	15	M6	20	6
11-KPMX32S6-30	32	20	15	M6	30	6
11-KPMX32S8-27	32	20	15	M8	27	6
11-KPMX40S6-15 *	40	25	16	M6	15	8
11-KPMX40S6-20	40	25	16	M6	20	8
11-KPMX40S6-30	40	25	16	M6	30	8
11-KPMX40S6-40	40	25	16	M6	40	8
11-KPMX40S8-15	40	25	16	M8	15	8
11-KPMX40S8-20 *	40	25	16	M8	20	8
11-KPMX40S8-33	40	25	16	M8	33	8
11-KPMX40S8-47	40	25	16	M8	47	8
11-KPMX40S10-20	40	25	16	M10	20	8
11-KPMX40S10-33	40	25	16	M10	33	8
11-KPMX40S10-44	40	25	16	M10	44	8
11-KPMX50S8-15	50	31	21	M8	15	9
11-KPMX50S8-27	50	31	21	M8	27	9
11-KPMX50S8-40	50	31	21	M8	40	9
11-KPMX50S10-33 *	50	31	21	M10	33	9
11-KPMX50S10-50	50	31	21	M10	50	9
11-KPMX63S10-33	63	39	23	M10	33	12
11-KPMX63S12-40	63	39	23	M12	40	12
11-KPMX63S16-55	63	39	23	M16	55	12

11-KPMX X = B - Black
 O - Orange



Also available in
 Stainless Steel
 see asterisk next to code
 eg 11-KPMX40S6-15 *

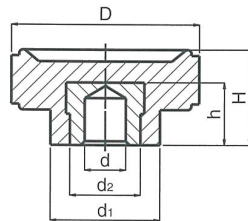
1195 - Phenolic Knurled Knob - Female

Black Duroplast • Available with Treated Steel Insert - S

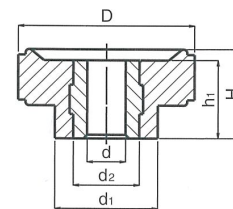
Part Number	D	H	d	d5	h	h1	d1	d2
11-KPLB24S5	24	13	5.25	-	8	-	14	10
11-KPLB24B6O	24	13	-	M6	-	11.5	14	-
11-KPLB24S5O	24	13	5.25	-	-	11.5	14	10
11-KPLB30S5	30	15	5.25	-	12	-	20	12
11-KPLB30B8O	30	15	-	M8	-	13.8	20	-
11-KPLB30S5O	30	15	5.25	-	-	13.8	20	12
11-KPLB30B10O	30	15	-	M10	-	13.8	20	-

Available with threaded female brass insert open – BXO X= d5

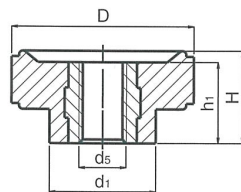
Available with treated steel insert open – SXO X = d



Steel Insert -S



Steel Insert Open - SXO

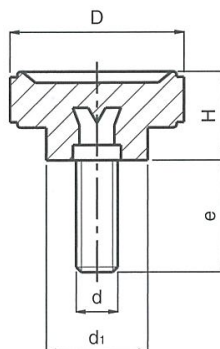


Brass Insert Open - BXO

1195 - Phenolic Knurled Knob - Male

Black Durplast • Treated Threaded Steel Insert

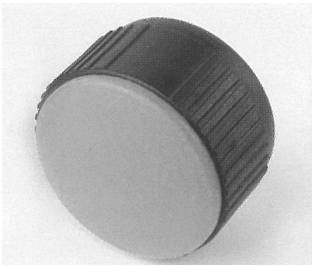
Part Number	D	H	d	e	d1
11-KPLB24S6-25	24	13	M6	25	14
11-KPLB30S10-13	30	15	M10	13	20



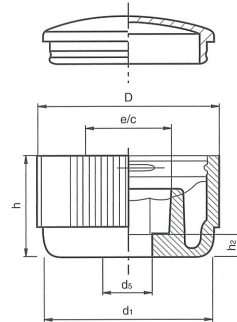
1196 - Contact Thermoplastic Knob - Female

Black Reinforced Thermoplastic Base with Cap Cap Colours – Black, Orange, Red, Blue, Yellow, and Silver

Part Number	D	H	d1	d5	h2	for	e/c
11-KPCX40H6	40	28	37	6.3	5	M6	10
11-KPCX40H8	40	28	37	8.5	5	M8	13
11-KPCX40H10	40	28	37	10.5	5	M10	16



11-KPCX - see below X =
 B – Black cap
 O – Orange
 R – Red
 BU – Blue
 Y – Yellow
 S – Silver

**1196 - Contact Thermoplastic Knob - Female**

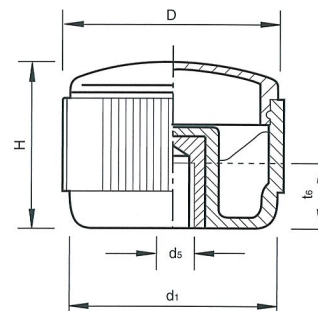
Black Thermoplastic Base with Cap • Cap Colours – Black, Orange, Red, Blue, Yellow, and Silver

Threaded Female Brass Insert

Part Number	D	H	d1	d5	T6
11-KPCX40B6	40	28	37	M6	10
11-KPCX40B8	40	28	37	M8	14
11-KPCX40B10	40	28	37	M10	17



11-KPCX - see below X =
 B – Black cap
 O – Orange
 R – Red
 BU – Blue
 Y – Yellow
 S – Silver

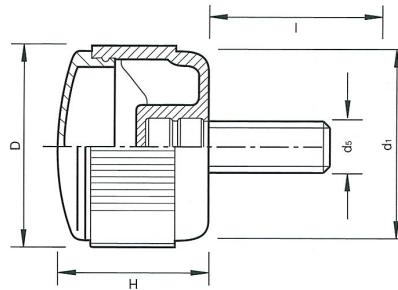


1196 - Contact Thermoplastic Knob - Male

Black Thermoplastic Base with Cap • Cap Colours – Black, Orange, Red, Blue, Yellow, and Silver

- Treated Threaded Steel Stud

Part Number	D	H	d1	d5	l
11-KPCX40S6-15	40	28	37	M6	15
11-KPCX40S6-30	40	28	37	M6	30
11-KPCX40S6-40	40	28	37	M6	40
11-KPCX40S8-15	40	28	37	M8	15
11-KPCX40S8-30	40	28	37	M8	30
11-KPCX40S8-47	40	28	37	M8	47
11-KPCX40S10-20	40	28	37	M10	20
11-KPCX40S10-30	40	28	37	M10	30
11-KPCX40S10-40	40	28	37	M10	40



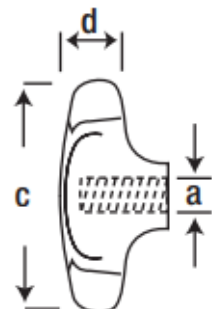
11-KPCX see below X =
 B – Black cap
 O – Orange
 R – Red
 BU – Blue
 Y – Yellow
 S – Silver

Male Scallop Edge Handwheels

Treated Steel Thread

- PA : Black Reinforced Polyamide

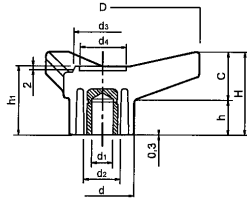
Part Number	A Thread	B Thread Length	C	D
11-M600RBLK-15F	M6	15	44	14
11-M600RBLK-30F	M6	30	44	14
11-M800RBLK-15F	M8	15	40	14
11-M800RBLK-50F	M8	50	40	27
11-M100RBLK-25F	M10	25	50	35
11-M120RBLK-40F	M12	40	80	52
11-M794RBLK-19F	5/16	19	50.8	27
11-M952RBLK-19F	3/8	19	50.8	27



4701K - Knobs - Three Prong - Female

Black Reinforced Thermoplastic • Threaded Female Brass Insert

Part Number	D	H	d1	d2	d3	d	d4	h	h1	C
11-K3P45B6*	45	21	M6	-	14.5	16	10	10	17.5	11
11-K3P65B8*	65	28	M8	-	21	22	15	12	23	16
11-K3P85B10*	85	36	M10	18	27	30	20	15	30	21
11-K3P105B12	105	45	M12	20	32	35	24	19	37	26
11-K3P125B12*	125	53	M12	26	40	42	27	22.5	44	30.5



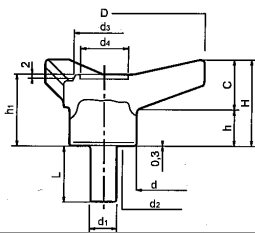
4701KTH

*Available with open threaded brass insert

4701T - Knobs - Three Prong - Male

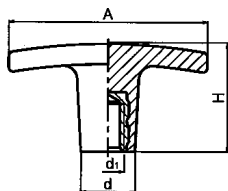
Black Reinforced Thermoplastic • Treated Threaded Steel Stud

Part Number	D	H	d1	d3	d	d4	h	h1	C	L
11-K3P45S6-25	45	21	M6	14.5	16	10	10	17.5	11	25
11-K3P65S8-30	65	28	M8	21	22	15	12	23	16	30
11-K3P85S10-40	85	36	M10	27	30	20	15	30	21	40
11-K3P105S12-50	105	45	M12	32	35	24	19	37	26	50
11-K3P125S12-50	125	53	M12	40	42	27	22.5	44	30.5	50

**4725 - T- Handle - Female**

Black Reinforced Thermoplastic • Threaded Brass Bush

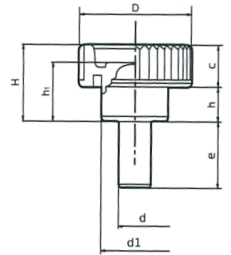
Part Number	A	H	d	d1	L
11-HPTB50B5	50	24	14	M5	-
11-HPTB60B6	60	32	16	M6	-
11-HPTB70B8	72	32	18	M8	-



4702T - Knurled Thumb Knob Male Steel

Treated Steel Stud • PA : Black Polyamide

Part Number	D	H	d	d1	C	h	h1	e
11-KKPB15S4-10	15	10	M4	10	5.5	4.5	8.5	10
11-KKPB21S5-15	21	15	M5	13	8.5	6.5	12.5	15
11-KKPB26S6-20	26	18	M6	16	9.5	8.5	15	20
11-KKPB33S8-20	33	23	M8	20	12.5	10.5	18	20
11-KKPB40S10-20	40	28	M10	25	15.5	12.5	22	20
11-KKPB40S12-30	40	28	M12	25	15.5	12.5	22	30



4702T - Knurled Thumb Knob Male SS

Stainless Steel Stud (AISI 303) • PA : Black Polyamide

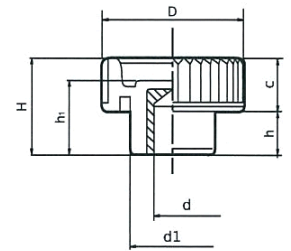
Part Number	D	H	d	d1	C	h	h1	e
11-KKPB15SS4-10	15	10	M4	10	5.5	4.5	8.5	10
11-KKPB21SS5-15	21	15	M5	13	8.5	6.5	12.5	15
11-KKPB26SS6-20	26	18	M6	16	9.5	8.5	15	20
11-KKPB33SS8-20	33	23	M8	20	12.5	10.5	18	20
11-KKPB40SS10-20	40	28	M10	25	15.5	12.5	22	20
11-KKPB40SS12-30	40	28	M12	25	15.5	12.5	22	30



4702K - Knurled Thumb Knob K Brass

Female Brass Insert • PA : Polyamide

Part Number	D	H	d	d1	C	h	h1
11-KKPB21B5	21	15	M5	13	8.5	6.5	12.5
11-KKPB26B6	26	18	M6	16	9.5	8.5	15
11-KKPB33B8	33	23	M8	20	12.5	10.5	18
11-KKPB40B10	40	28	M10	25	15.5	12.5	22
11-KKPB40B12	40	28	M12	25	15.5	12.5	22

**4702D - Knurled Thumb Knob D Brass**

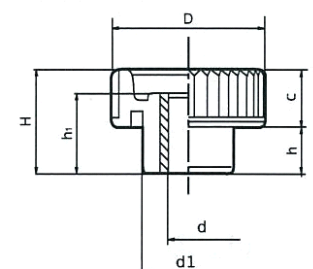
Brass Insert drilled out • PA : Polyamide

Part Number	D	H	d	d1	C	h	h1
11-KKPB15B4O	15	10	M4	10	5.5	4.5	8.5
11-KKPB21B5O	21	15	M5	13	8.5	6.5	12.5
11-KKPB26B6O	26	18	M6	16	9.5	8.5	15
11-KKPB33B8O	33	23	M8	20	12.5	10.5	18
11-KKPB40B10O	40	28	M10	25	15.5	12.5	22
11-KKPB40B12O	40	28	M12	25	15.5	12.5	22

**4702D - Knurled Thumb Knob D SS**

Stainless Steel (AISI 303) insert, drilled out • PA : Polyamide

Part Number	D	H	d	d1	C	h	h1
11-KKPB15SS4	15	10	M4	10	5.5	4.5	8.5
11-KKPB21SS5	21	15	M5	13	8.5	6.5	12.5
11-KKPB26SS6	26	18	M6	16	9.5	8.5	15
11-KKPB33SS8	33	23	M8	20	12.5	10.5	18
11-KKPB40SS10	40	28	M10	25	15.5	12.5	22
11-KKPB40SS12	40	28	M12	25	15.5	12.5	22

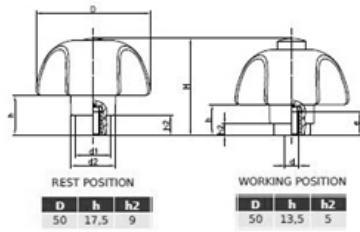


1168k - Safety Knob with Threaded Insert

Threaded Female Brass Insert, Stainless Steel Spring • PA : Black Reinforced Polyamide with orange caps

Other coloured caps available

Part Number	D	H	d	e	d1	d2	Cap
11-KPSB50B6	50	42	M6	10	16	19.5	Orange
11-KPSB50B8	50	42	M8	14	16	19.5	Orange
11-KPSB50B10	50	42	M10	13	16	19.5	Orange

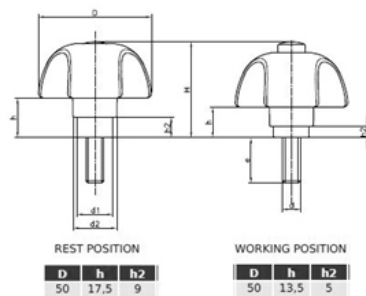


1168T - Safety Knob with Treated Stud

Threaded Male Brass Insert, Stainless Steel Spring • PA : Black Reinforced Polyamide with black caps

Other coloured caps available

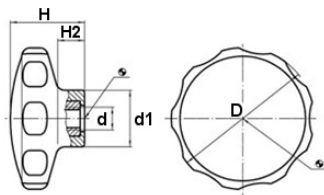
Part Number	D	H	d	e	d1	d2	Cap
11-KPSB50S6-30	50	42	M6	30	16	19.5	Black
11-KPSB50S8-33	50	42	M8	33	16	19.5	Black
11-KPSB50S10-30	50	42	M10	30	16	19.5	Black



3813T - Threaded Star Knob

Black Thermoplastic Body • Stainless Steel Nut • 5 different cap colours, Black, Blue, white, Orange, Yellow

Part Number	D	d	d1	H	H2
11-KPSB(X)30SS4	30	M4	14	19	7
11-KPSB(X)30SS5	30	M5	14	19	7
11-KPSB(X)40SS5	40	M5	16.5	22	9
11-KPSB(X)40SS6	40	M6	16.5	22	9
11-KPSB(X)50SS6	50	M6	22	26	10
11-KPSB(X)50SS8	50	M8	22	26	10
11-KPSB(X)62SS8	62	M8	22	35	13
11-KPSB(X)62SS10	62	M10	22	35	13



*11-KPSBX

X = colour

BU = Blue

B = Black

W = White

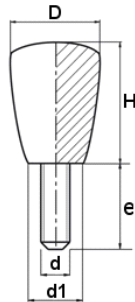
O = Orange

Y = Yellow

4707C - Thermoplastic Knob - Male

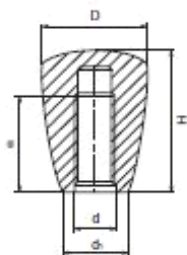
Treated Stud • PA Polyamide

Part Number	D	d	d1	e	H
11-KPP21S6-20	21	M6	13	20	28
11-KPP25S6-25	25	M6	16	25	34
11-KPP32S8-30	32	M8	20	30	43
11-KPP43S10-30	43	M10	27	30	58

**4707T - Thermoplastic Knob - Female**

PA Reinforced Polyamide • Thermoplastic Body

Part Number	R	d	e	d1
11-KPP21M6	21	M6	13	28
11-KPP25M6	25	M6	16	34
11-KPP32M8	32	M8	20	43
11-KPP43M10	43	M10	27	58



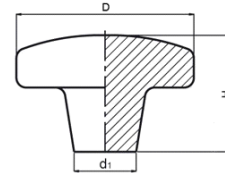
3323 - Knobs - Aluminium Star - Female

Available in Aluminium polished or not polished

• These have no predrilled thread leaving thread Dia. option open

Part Number	D	H	d1
11-KAD5U40	40	26	14
11-KAD5P40	40	26	14
11-KAD5U50	50	34	18
11-KAD5P50	50	34	18
11-KAD5U63	63	42	20
11-KAD5P63	63	42	20
11-KAD5U80	80	52	25
11-KAD5P80	80	52	25

*P = Polished *U = Not Polished

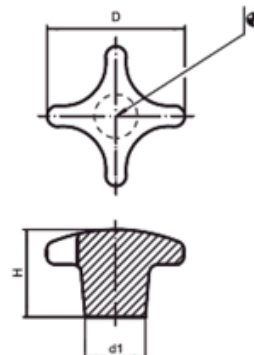


3707 Knobs - Stainless Steel

Stainless Steel

• Threaded Open Insert

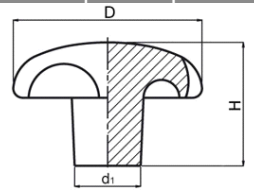
Part Number	D	H	D1	D6	d	h3
11-KSS32T60	32	20	12	6.4	M6	10



3320 - Knobs - Aluminium - Female

Available in Aluminium polished or not polished • These have no predrilled thread leaving thread Dia. option open

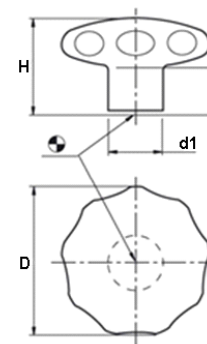
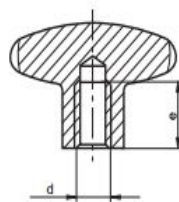
Part Number	D	H	d1
11-KAD6U40	40	25	14
11-KAD6P40	40	25	14
11-KAD6U50	50	32	18
11-KAD6P50	50	32	18
11-KAD6U63	63	40	20
11-KAD6P63	63	40	20
11-KAD6U80	80	50	25
11-KAD6P80	80	50	25



3711 - Knobs - Solid Stainless Steel - Female

Stainless Steel 1.4305 • For all applications with hygienic requirements

Part Number	d	D	H	d1	e	h2
11-KSSS40T6	M6	40	30.5	18	12	15
11-KSSS40T8	M8	40	30.5	18	12	15
11-KSSS50T10	M10	50	34	21	15	18
11-KSSS60T12	M12	60	39	25	18	18

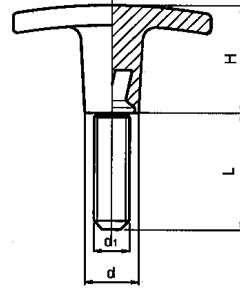


h2
polished *U = Not Polished

4725 - T - Handle - Male

Black Reinforced Thermoplastic • Treated Threaded Steel Stud

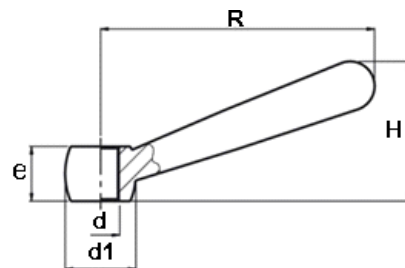
Part Number	A	H	d	d1	L
11-HPTB50S5-20	50	24	14	M5	20
11-HPTB60S6-25	60	32	16	M6	25
11-HPTB70S8-35	72	32	18	M8	35



3740 - Steel Lever

Blackened Steel • Threaded through hole

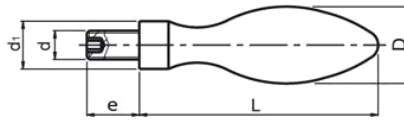
Part Number	R	d	e	d1	H
11-LSB50S6	50	M6	9.5	12	24
11-LSB63S8	63	M8	12.5	16	31
11-LSB80S10	80	M10	15	20	38
11-LSB100S12	100	M12	19	25	47
11-LSB125S16	125	M16	25	32	60
11-LSB160S20	160	M20	31	40	76
11-LSB200S24	200	M24	41	50	97



3310 - Fixed Aluminium Handle

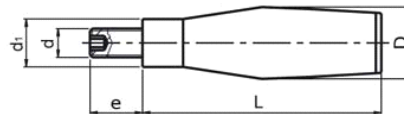
Polished Aluminium • Threaded steel Stud

Part Number	D	d	d1	L	e
11-HALR16S6-11	16	M6	10	52	11
11-HALR20S8-13	20	M8	13	70	13
11-HALR25S10-14	25	M10	16	83	14
11-HALR32S12-16	32	M12	20	100	16
11-HALR36S16-26	36	M16	22	112	26

**3314 - Fixed Aluminium Handle**

Polished Aluminium • Threaded Steel Stud

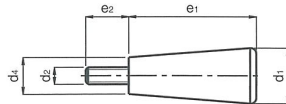
Part Number	D	d	d1	L	e
11-HALF16S6-11	16	M6	10	50	11
11-HALF20S8-13	20	M8	13	64	13
11-HALF25S10-14	25	M10	16	80	14
11-HALF32S12-16	32	M12	20	100	16



1136 - Fixed Handle

Black Durolast • Treated Threaded Steel Stud

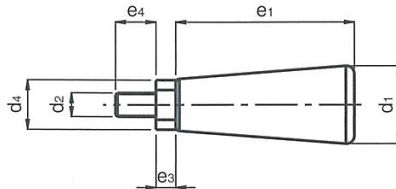
Part Number	d1	d2	d4	e1	e2
11-HPFB45S6	20	M6	13	45	15
11-HPFB53S8	24	M8	16	53	15
11-HPFB76S10	25	M10	19	76	15
11-HPFB92S12	28	M12	21	92	15



1137 - Revolving Handle

Black Durolast • Treated Threaded Steel Stud

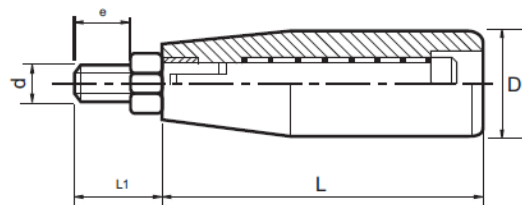
Part Number	d1	d2	d4	e1	e3	e4
11-HPRB45S6	20	M6	13	45	5	12
11-HPRB53S8	24	M8	16	53	5.5	15
11-HPRB76S10	25	M10	19	76	6.5	15
11-HPRB92S12	28	M12	21	92	7	15



4735 - Revolving Fold Away Handle

Polyamide • Treated Threaded Steel Stud, Blackened

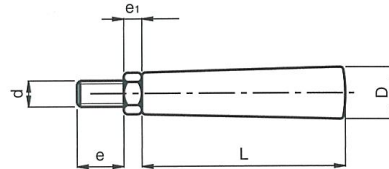
Part Number	D	d	L	L1	E
11-HPRB50M6	20	M6	50	14	9
11-HPRB70S8	25	M8	70	16	10
11-HPRB92S10	25	M10	82	23	17
11-HPRB90S10	25	M10	90	23	17



1141 - Revolving Plain Handle

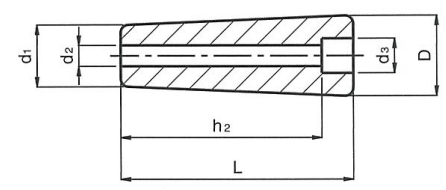
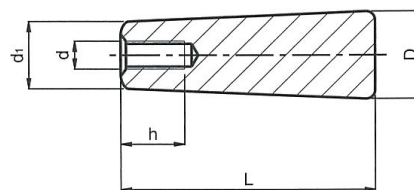
Black P.P. • Treated Threaded Steel Stud

Part Number	D	L	d	e	e1
11-HPRB50S6	15	50	M6	11	5
11-HPRB60S8	17	60	M8	13	6
11-HPRB70S10	20	70	M10	18	7
11-HPRB80S12	23	80	M12	19	8

**1144 - Phenolic Tapered Hand Knob**

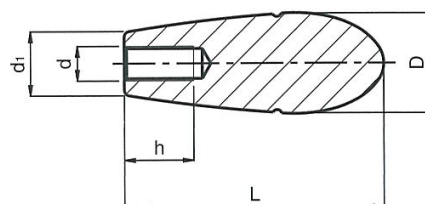
Black Duroplast • Moulded Thread

Part Number	D	L	d	d2	h	h2	d1	d3
11-KPTB30H5O	13	30	-	5	-	23.2	10	8.5
11-KPTB50H6O	15	50	-	6	-	40	12	8.8
11-KPTB60H8O	17	60	-	8	-	48	14	10
11-KPTB45M6	20	45	M6	-	14	-	13	-
11-KPTB45H6O	20	45	-	6	-	37.5	13	9.7
11-KPTB53M6	24	53	M6	-	14	-	16	-
11-KPTB76M8	25	76	M8	-	18	-	19	-
11-KPTB80H10O	23	80	-	10	-	65	18.5	14
11-KPTB92M10	28	92	M10	-	22	-	21	-
11-KPTB132M12	30	132	M12	-	25	-	23.5	-

**1145 - Phenolic Hand Knob**

Black Duroplast • Moulded Thread

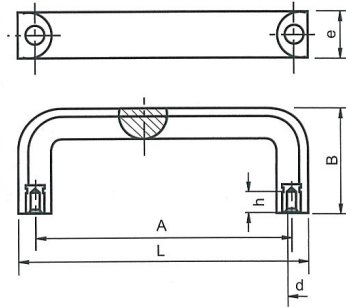
Part Number	D	L	d	h	d1
11-KPHB95M12	35	95	M12	24	20
11-KPHB120M12	35	120	M12	24	20



1153 - Solid Phenolic Handle

Black Duroplast • Brass Female Threaded Inserts

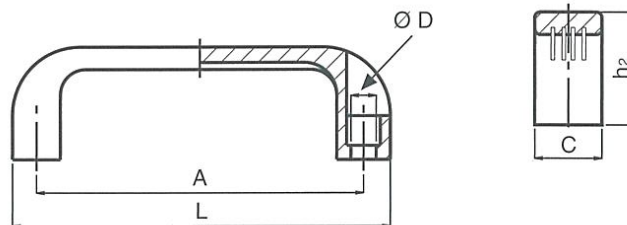
Part Number	L	A	B	e	d	h
11-HPB109B6	124	109±0.5	45	21	M6	13
11-HPB132B8	148	132±0.5	54	24	M8	13



1157 - Thermoplastic Handle with Thru Holes

P.A.6 + Black Fibre Glass

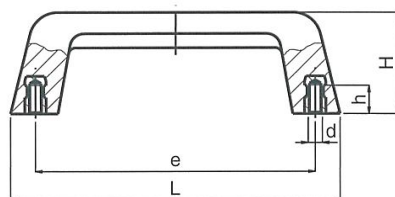
Part Number	L	C	h2	A	D
11-HPB094H6	110	21	37	94±1	6.5
11-HPB116H8	133	24	40	116±1	9
11-HPB120H8	139	24	40	120±1	8.5
11-HPB132H8A	151	26	43	132±1	8.5
11-HPB180H8	200	28	50	180±1	8.5
11-HPB235H10	260	32	54	235±1	10.5



1161 - Phenolic Handle

Black Duroplast • Brass Female Threaded Inserts

Part Number	L	H	e	d	h
11-HPDB109B6	130	43	109±1.0	M6	10
11-HPDB131B8	165	55	131±1.0	M8	14



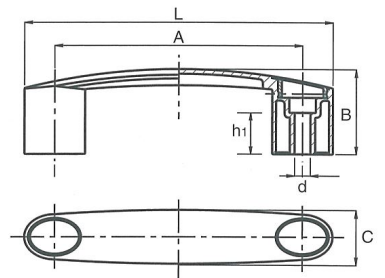
1155 - CT Thermoplastic Handle

Black Reinforced Thermoplastic • Plain Holes and Coloured Caps

Part Number	A	L	B	d	C	h1
11-HPB093H6	93±1	116	35	6.5	20	20
11-HPBX093H6	93±1	116	35	6.5	20	20
11-HPB109H8	109±1	141	42	8.5	25	20
11-HPBX109H8	109±1	141	42	8.5	25	20
11-HPB117H8	117±1	141	42	8.5	25	20
11-HPBX117H8	117±1	141	42	8.5	25	20
11-HPB132H8	132±1	163	45	8.5	29	22
11-HPBX132H8	132±1	163	45	8.5	29	22
11-HPB150H8	150±1	181	48	8.5	31	25
11-HPBX150H8	150±1	181	48	8.5	31	25

Part no. 11-HPB093H6 = with Black caps

Part no. 11-HPBX093H6 X = Cap colour : B – Blue cap , O – Orange, R – Red, Y – Yellow, G - Grey



1156 - MGM Thermoplastic Handle

Black or Orange Reinforced Polyamide

• Center Piece Anodised Aluminium

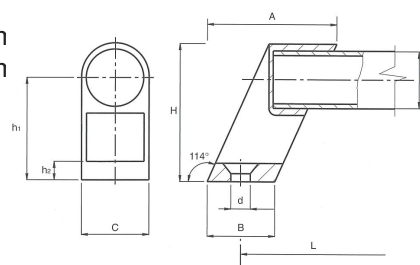
Part Number	D	L	A	B	C	H	h1	h2	d
11-HMBAL20020H8	20	200±1	47	23	26	53	40	6	8.4
11-HMOAL20020H8	20	200±1	47	23	26	53	40	6	8.4
11-HMBAL20025H8	25	200±1	56	29	32	60	43	8	8.4
11-HMOAL20025H8	25	200±1	56	29	32	60	43	8	8.4

L – also available in lengths – 300, 400, 500, 700

11-HMBBRKT20 – Handle bracket only black 20mm

11-HMBBRKT25 – Handle bracket only black 25mm

11-HMBAL = black 11-HMOAL = orange

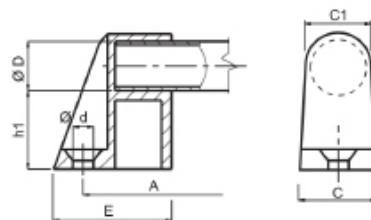


1160- Aluplast Thermoplastic Handle

Black Reinforced Polyamide

• Tube in anodised Aluminium

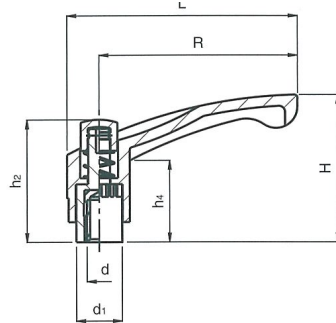
Part Number	A	d	h1	C	C1	D	E
11-HPBAL20020H8	200±1	8.4	32	28	26	20	43



1198 - Thermoplastic Adjustable Handle - Female

P.A.6 Black Fibre Glass Reinforced • Treated Threaded Brass Insert, Stainless Steel Spring

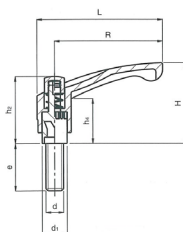
Part Number	R	L	H	h2	d1	h4	d
11-HPAB51B4	43	51	38	33	13	23	M4
11-HPAB51B5	43	51	38	33	13	23	M5
11-HPAB51B6	43	51	38	33	13	23	M6
11-HPAB75B6	65	75	48	42	16	26	M6
11-HPAB75B8	65	75	48	42	16	26	M8
11-HPAB75B10	65	75	48	42	16	26	M10
11-HPAB98B8	85	98	63	50	18	34	M8
11-HPAB98B10	85	98	63	50	18	34	M10
11-HPAB98B12	85	98	63	50	18	34	M12



1198 - Thermoplastic Adjustable Handle - Male

P.A.6 Black Fibre Glass Reinforced • Treated Threaded Steel Stud, Stainless Steel Spring

Part Number	R	L	H	h2	d1	h4	d	e
11-HPAB51S5-20	43	51	38	33	13	23	M5	20
11-HPAB51S6-15	43	51	38	33	13	23	M6	15
11-HPAB51S6-40	43	51	38	33	13	23	M6	40
11-HPAB75S6-20	65	75	48	42	16	26	M6	20
11-HPAB75S6-40	65	75	48	42	16	26	M6	40
11-HPAB75S8-20	65	75	48	42	16	26	M8	20
11-HPAB75S8-47	65	75	48	42	16	26	M8	47
11-HPAB75S10-20	65	75	48	42	16	26	M10	20
11-HPAB75S10-40	65	75	48	42	16	26	M10	40
11-HPAB98SS10-30**	85	98	63	51	20	34	M10	30
11-HPAB98S10-40	85	98	63	51	20	34	M10	40
11-HPAB98S12-30	85	98	63	51	20	34	M12	30
11-HPAB98S12-50	85	98	63	50	18	34	M12	50
11-HPAB98S12-60	85	98	63	50	18	34	M12	60



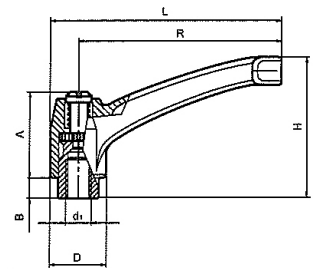
** SS = Stainless steel stud

4750 - Zinc Die Cast Adjustable Handle

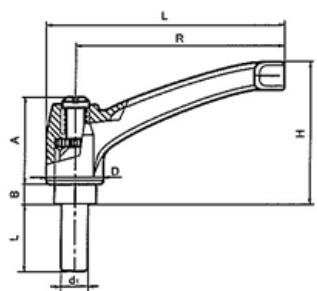
It made of zinc die-cast, black RAL9011. Inner parts in black Steel (UNI5105)

Female Adjustable Handle

Part Number	R	H	A	B	D	d1
11-HBZA43S4	43	30	24	5	14	M4
11-HBZA43S5	43	30	24	5	14	M5
11-HBZA43S6	43	30	24	5	14	M6
11-HBZA65S6	65	45	27	7	19	M6
11-HBZA65S8	65	45	27	7	19	M8
11-HBZA80S8	80	56	33	8	22	M8
11-HBZA80S10	80	56	33	8	22	M10
11-HBZA80S12	80	56	33	8	22	M12
11-HBZA94S10	94	65	39	10	26	M10
11-HBZA94S12	94	65	39	10	26	M12
11-HBZA94S16	94	65	39	10	26	M16
11-HBZA108S16	108	77	41	12	30	M16

**Male Adjustable Handle**

Part Number	R	H	A	B	D	d1	e
11-HBZA43S5-15	43	30	24	5	14	M5	15
11-HBZA43S5-30	43	30	24	5	14	M5	30
11-HBZA43S6-15	43	30	24	5	14	M6	15
11-HBZA43S6-25	43	30	24	5	14	M6	25
11-HBZA43S6-40	43	30	24	5	14	M6	40
11-HBZA65S6-20	65	30	27	7	19	M6	20
11-HBZA65S6-30	65	45	27	7	19	M6	30
11-HBZA65S8-15	65	45	27	7	19	M8	15
11-HBZA65S8-30	65	45	27	7	19	M8	30
11-HBZA65S8-45	65	45	27	7	19	M8	45
11-HBZA80S8-20	80	56	33	8	22	M8	20
11-HBZA80S8-40	80	56	33	8	22	M8	40
11-HBZA80S10-20	80	56	33	8	22	M10	20
11-HBZA80S10-40	80	56	33	8	22	M10	40
11-HBZA94S12-20	94	65	39	10	26	M12	20
11-HBZA94S12-35	94	65	39	10	26	M12	35
11-HBZA94S12-50	94	65	39	10	26	M12	50
11-HBZA94S16-30	94	65	39	10	26	M16	30
11-HBZA94S16-50	94	65	39	10	26	M16	50
11-HBZA108S16-40	108	77	41	12	30	M16	40
11-HBZA108S16-60	108	77	41	12	30	M16	60

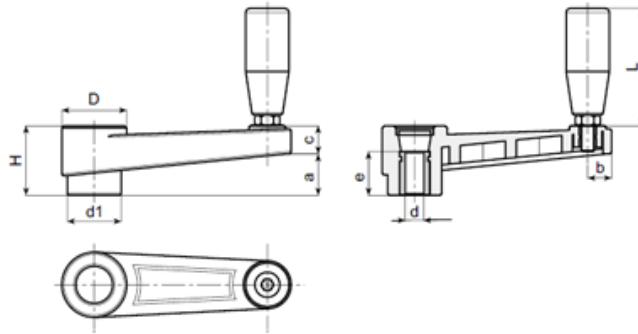


4715 - Crank Handle with Smooth Insert & Revolving Handle

Central Blind Treated Smooth Steel Insert

• PA : Black Reinforced Polyamide

Part Number	R	H	d1	D	d	e	c	a	L	b
11-HPBF65	65	29	22	27	5	20	13	17	56	10
11-HPBF80	80	33	26	31	5	24	13	18	56	11
11-HPBF110	110	39	29	34	5	28	14	25	66	12

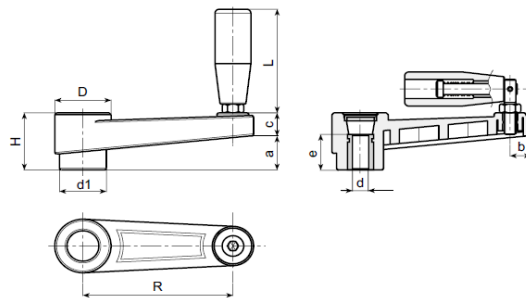


4716K - Crank Handle with Threaded Insert & Fold Away Revolving Handle

Threaded Female Brass Insert

• PA : Black Reinforced Polyamide

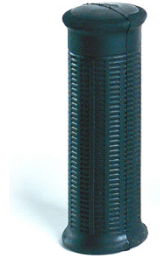
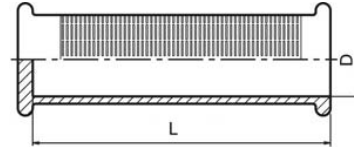
Part Number	R	H	d1	D	d	e	c	a	L	b
11-HCPBF65M8	65	30	22	26	M8	15	13	17	54	10
11-HCPBF80M8	80	33	26	30	M8	18	13	19	54	11
11-HCPBF65M10	65	30	22	26	M10	15	13	17	54	10
11-HCPBF80M10	80	33	26	30	M10	18	13	19	54	11
11-HCPBF80M12	80	33	26	30	M12	18	13	19	54	11



4142 - Rubber Handle

Rubber Handle

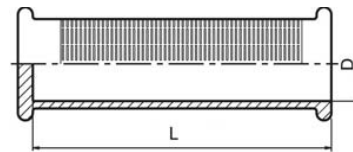
Part Number	D	L
11-HRRB25-103	25	103
11-HRRB27-103	27	103
11-HRRB30-103	30	103



4143 - Rubber Handle

Rubber Handle with finger grips

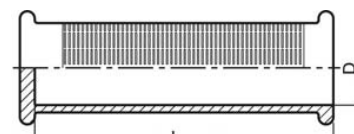
Part Number	D	L
11-HRRB30-125G	30	30



4144 - PVC Handle

PVC Plastic Handle

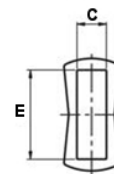
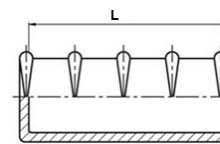
Part Number	Part Number	D	L
11-HRPV22-105	11-HRPV24-105	24	105



4718 - Polyethylene Handle

Polyethylene

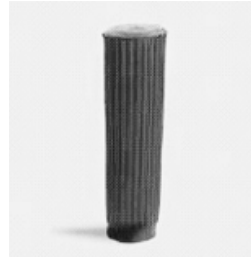
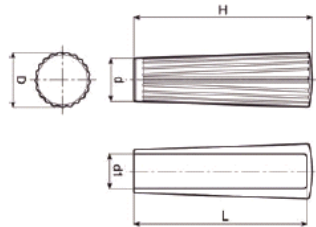
Part Number	L	Part Number	L	c	m
11-HPR5X20-79	75	11-HPR10X30-100	94	10	30
11-HPR6X20-79	75	6	20		
11-HPR8X20-79	75	8	20		
11-HPR10X20-79	75	10	20		
11-HPR10X28-100	94	10	28		



4717 - Polyethylene Handle

Black Polyethylene

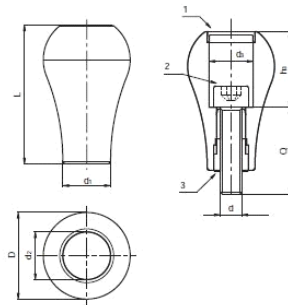
Part Number	D	d1	d	H	L
11-HRRTB20-105	32	20	25	104	100



4708 - Revolving Handle

Black Polyamide with Grey Cap • Zinc-Coated Steel Thread

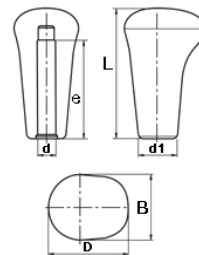
Part Number	D	d	L	D1	D2	D3	Q	h3
11-HPGR64S10	40	M10	64	23	22	20.5	40	34.5



4709 - Thermoplastic Handle

Thermoplastic: Oil and Grease Resistant

Part Number	D	B	d	d1	e	L
11-HPG50M12	50	40	12	26	75	80
11-HPG50M14	50	40	14	26	75	80
11-HPG50M16	50	40	16	26	75	80

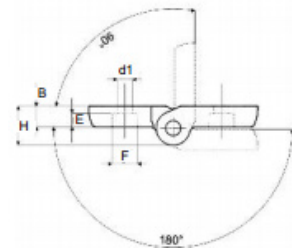
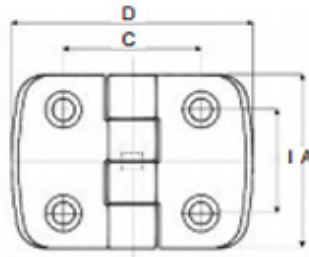


4246 - Through Hole Hinges

Stainless Steel Pin • Reinforced Black Polyamide

Maximum rotation of 270 °

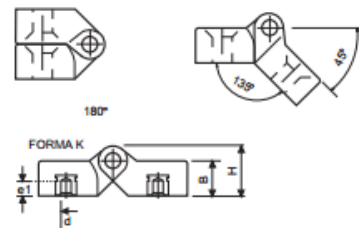
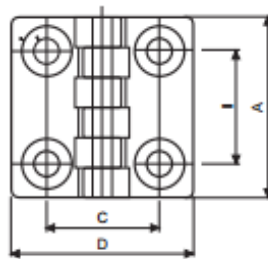
Part Number	A	D	I	C	d1	F	B	E	H
11-HPB50SS	50	50	34	34	5.5	10.5	8.5	3.5	1.6
11-HPB50SSLP	50	50	30	31	5.5	9	8.5	5	1.6



4754K- Flat Hinge with Threaded Inserts

Brass Inserts • Zinc-Plated Steel Pin

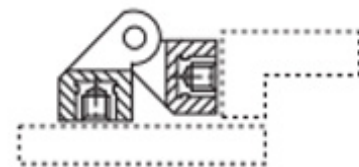
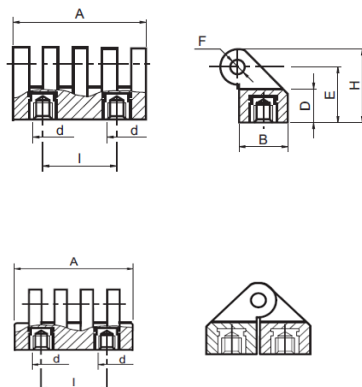
Part Number	A	D	I	C	H	B	d	e1
11-HFPB64	64	64	40	40	19	13	M6	9



4755K - HK Hinge with Threaded Inserts

Brass Inserts • Zinc-Plated Steel Pin

Part Number	A	D	I	d	E	B	H	F
11-HHPB54	54	13	30	M6	22	20	29	5



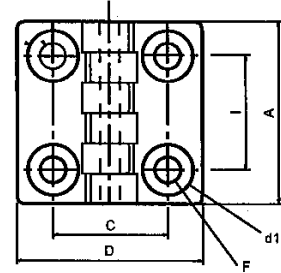
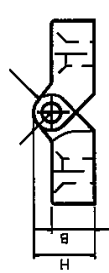
MOUNTING EXAMPLE

Complete rotation 180 °

4756 - Thru Hole Hinges

Reinforced Black Thermoplastic • Zinc-Plated Steel Shaft (also available in stainless steel)

Part Number	A	D	I	C	F	B	H	d1
11-HPB32	32	32	20	20	4.5	7	10.5	8
11-HPB48	48	48	30	30	6.5	10.5	15.5	13
11-HPB64	64	64	40	40	6.5	13	19	13
11-HPB96	96	96	60	63	8.5	16	24	16
11-HPB96A	96	96	60	63	10.5	16	24	20

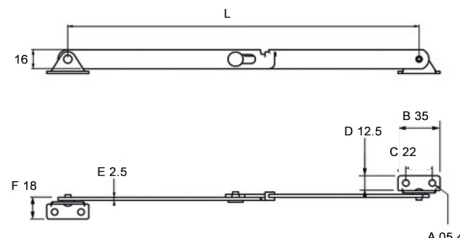


Lid Stay

Steel with Zinc Plated Finish

• Folding 90 degree Mount Lid Stay

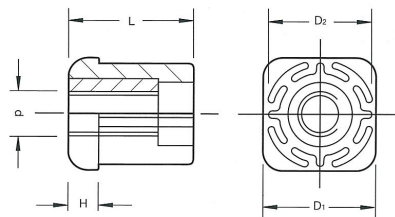
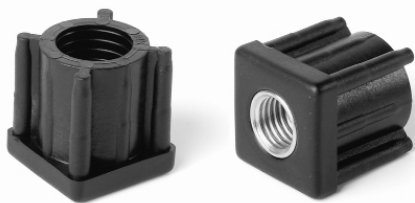
Part Number	A	B	C	D	E	F	L
04-LS135-LH	32	32	20	4.5	7	10.5	8
04-LS135-RH	48	48	30	6.5	10.5	15.5	13



4268 - Square Threaded Tube Ends - Metric Threads

Reinforced Polyamide, Black Colour with Brass Inserts

Part Number	D	Tube Wall	D2	d	H	L	Kg*
11-NPSQ20B8	20x20	1.5	17	M8	5	23	450
11-NPSQ25B8	25x25	1.5	22	M8	6	26	450
11-NPSQ25B10	25x25	1.5	22	M10	6	26	500
11-NPSQ25B12	25x25	1.5	22	M12	6	26	550
11-NPSQ30B10	30x30	1.5	27	M10	6	31	500
11-NPSQ30B12	30x30	1.5	27	M12	6	31	550
11-NPSQ30B14	30x30	1.5	27	M14	6	31	600
11-NPSQ30B16	30x30	1.5	27	M16	6	31	650
11-NPSQ35B10	35x35	1.5	32	M10	8	38	700
11-NPSQ35B12	35x35	1.5	32	M12	8	38	750
11-NPSQ35B14	35x35	1.5	32	M14	8	38	800
11-NPSQ35B16	35x35	1.5	32	M16	8	38	850
11-NPSQ35B20	35x35	1.5	32	M20	8	38	900
11-NPSQ40B10/1	40x40	1.5	37	M10	8	38	750
11-NPSQ40B12/1	40x40	1.5	37	M12	8	38	800
11-NPSQ40B14/1	40x40	1.5	37	M14	8	38	850
11-NPSQ40B16/1	40x40	1.5	37	M16	8	38	900
11-NPSQ40B20/1	40x40	1.5	37	M20	8	38	950
11-NPSQ40B10/2	40x40	2	36	M10	8	38	750
11-NPSQ40B12/2	40x40	2	36	M12	8	38	800
11-NPSQ40B14/2	40x40	2	36	M14	8	38	850
11-NPSQ40B16/2	40x40	2	36	M16	8	38	900
11-NPSQ40B20/2	40x40	2	36	M20	8	38	950
11-NPSQ50B12/1	50x50	1.5	47	M12	10	45	800
11-NPSQ50B14/1	50x50	1.5	47	M14	10	45	850
11-NPSQ50B16/1	50x50	1.5	47	M16	10	45	900
11-NPSQ50B20/1	50x50	1.5	47	M20	10	45	950
11-NPSQ50B12/2	50x50	2	46	M12	10	45	800
11-NPSQ50B14/2	50x50	2	46	M14	10	45	850
11-NPSQ50B16/2	50x50	2	46	M16	10	45	900
11-NPSQ50B20/2	50x50	2	46	M20	10	45	950

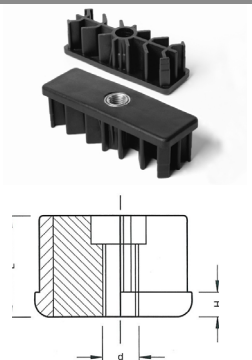


* Max Static Load

4282 - Rectangular Threaded Tube Ends

Reinforced Polyamide, Black Colour with Brass Inserts

Part Number	Ext Dim	Tube Wall	Int Dim	d	H	L	Kg*
11-NPRT2050B8	20x50	2	16x46	M8	5	28	450
11-NPRT4080B16	40x80	2	36x76	M16	10	45	900
11-NPRT4080B20	40x80	2	36x76	M20	10	45	950
11-NPRT50150B16	50x150	3	44x144	M16	10	45	900
11-NPRT44144B20	50x150	3	44x144	M20	10	45	950
11-NPRT54114B16	60x120	3	54x114	M16	10	45	900
11-NPRT54114B20	60x120	3	54x114	M20	10	45	950

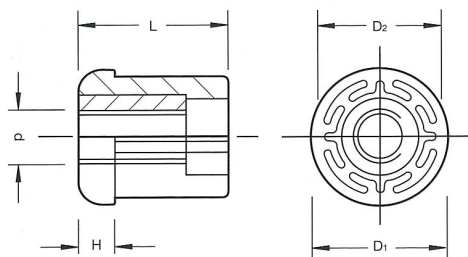


4264 - Round Threaded Tube Ends

Reinforced Polyamide, Black Colour with Brass Insert

* Max Static Load

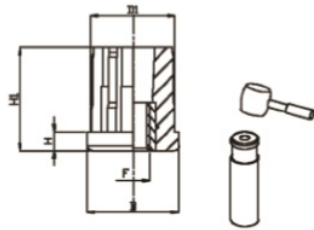
Part Number	D	Wall Thickness	D2	d	H	L	Kg*
11-NPRD30B8	30	1	28	M8	6	31	450
11-NPRD30B10	30	1	28	M10	6	31	500
11-NPRD30B12	30	1	28	M12	6	31	550
11-NPRD30B14	30	1	28	M14	6	31	600
11-NPRD30B16	30	1	28	M16	6	31	650
11-NPRD38B10	38	1.5	35	M10	8	38	500
11-NPRD38B12	38	1.5	35	M12	8	38	550
11-NPRD38B14	38	1.5	35	M14	8	38	600
11-NPRD38B16	38	1.5	35	M16	8	38	650
11-NPRD42B10	42.4	1.5	39.4	M10	8	38	700
11-NPRD42B12	42.4	1.5	39.4	M12	8	38	750
11-NPRD42B14	42.4	1.5	39.4	M14	8	38	800
11-NPRD42B16	42.4	1.5	39.4	M16	8	38	850
11-NPRD42B20	42.4	1.5	39.4	M20	8	38	900
11-NPRD48B12	48.3	1.5	45.3	M12	10	45	800
11-NPRD48B14	48.3	1.5	45.3	M14	10	45	850
11-NPRD48B16	48.3	1.5	45.3	M16	10	45	900
11-NPRD48B20	48.3	1.5	45.3	M20	10	45	950
11-NPRD60B10/1	60.3	2	56.3	M10	12	52	750
11-NPRD60B12/1	60.3	2	56.3	M12	12	52	800
11-NPRD60B14/1	60.3	2	56.3	M14	12	52	850
11-NPRD60B16/1	60.3	2	56.3	M16	12	52	900
11-NPRD60B20/1	60.3	2	56.3	M20	12	52	950
11-NPRD60B24/1	60.3	2	56.3	M24	12	52	1000
11-NPRD60B10/2	60.3	2.5	55.3	M10	12	52	750
11-NPRD60B12/2	60.3	2.5	55.3	M12	12	52	800
11-NPRD60B14/2	60.3	2.5	55.3	M14	12	52	850
11-NPRD60B16/2	60.3	2.5	55.3	M16	12	52	900
11-NPRD60B20/2	60.3	2.5	55.3	M20	12	52	950
11-NPRD60B24/2	60.3	2.5	55.3	M24	12	52	1000



Martin Round Threaded Tube Ends

Reinforced Polyamide, Black Colour with Brass Insert

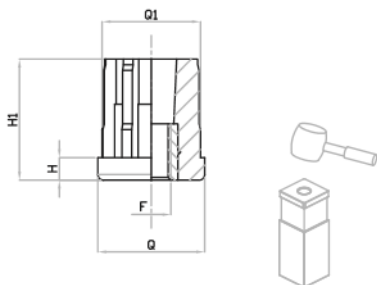
Part Number	D1	Wall Thickness mm	Thread Size	D2	H	H1	Static Load Newton
11-NPRD30B10	30	1	M10	28.5	6	35	3200
11-NPRD30B12	30	1	M12	28.5	6	35	3200
11-NPRD48B10	48	1.5	M10	45.5	11	49	8000
11-NPRD48B12	48	1.5	M12	45.5	11	49	8000
11-NPRD50B12	50	1.5	M12	47.5	11	49	8500
11-NPRD50B16	50	1.5	M16	47.5	11	49	8500
11-NPRD50B20	50	1.5	M20	47.5	11	49	8500



Martin Square Threaded Tube Ends

Reinforced Polyamide, Black Colour with Brass Insert

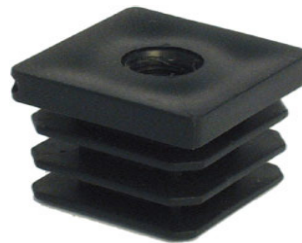
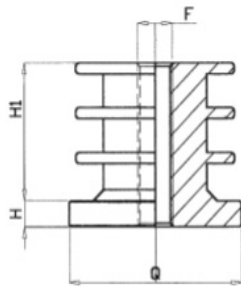
Part Number	D1	Wall Thickness mm	Thread Size	D2	H	H1	Static Load Newton
11-NPSQ30B10	30	1.5	M10	27.5	6	33	5500
11-NPSQ30B12	30	1.5	M12	27.5	6	33	5500
11-NPSQ40B10	40	2	M10	36.5	8	43	8000
11-NPSQ40B12	40	2	M12	36.5	8	43	8000
11-NPSQ50B12	50	2.5	M12	45.5	10	55	9500
11-NPSQ50B16	50	2.5	M16	45.5	10	55	9500



Martin Square Threaded Tube Ends

Polyamide, Black Colour with Moulded Thread

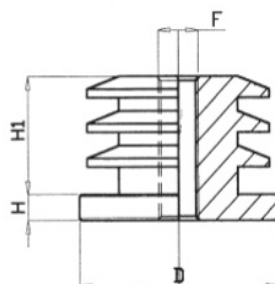
Part Number	External Square Q	H	H1	Screw F
11-NPSQ25M10	25x25	5	19	M10
11-NPSQ30M10	30x30	6	20	M10
11-NPSQ35M10	35x35	6	21	M10
11-NPSQ40M10	40x40	6	22	M10
11-NPSQ50M10	50x50	7	30	M10



Martin Round Threaded Tube Ends

Polyamide, Black Colour with Moulded Thread

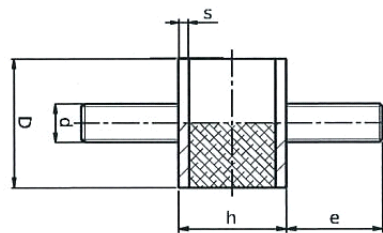
Part Number	External Round D	H	H1	Screw F
11-NPRD30M10	30	6	19	M10
11-NPRD35M10	35	6	20	M10
11-NPRD40M10	40	6	20	M10
11-NPRD50M10	50	6	21	M10



4121 - Male/Male Anti-Vibration Mount

Rubber SBR 60° / 65° shore A & Zinc plated Steel • Thermoplastic Body

Part Number	D	h	e	d	s	Cp	Cz
11-AVMM1210S5	13	10	10	M5	1.5	15	2
11-AVMM1515S4**	15	15	14	M4	1.5	15	2
11-AVMM2010S6	20	10	16	M6	1.5	36	3
11-AVMM2015S6	20	15	16	M6	1.5	34	4
11-AVMM2020S6	20	20	16	M6	1.5	34	3
11-AVMM2520S6	25	20	18	M6	2	45	5
11-AVMM2530S6	25	30	18	M6	2	34	3
11-AVMM3020S8	30	20	23	M8	2	66	9
11-AVMM3030S8	30	30	23	M8	2	61	7
11-AVMM3038S8	30	40	23	M8	2	55	5
11-AVMM4030S8	40	30	23	M8	2	98	15
11-AVMM4035S8	40	35	23	M8	2	88	13
11-AVMM5020S10	50	20	27	M10	3	168	21
11-AVMM5030S10	50	30	28	M10	3	158	19
11-AVMM5040S10	50	40	28	M10	3	143	17
11-AVMM5050S10	50	50	28	M10	3	133	13
11-AVMM6550S12	65	50	37	M12	2	230	23
11-AVMM7525S12	75	25	37	M12	3	382	89
11-AVMM7540S12	75	40	37	M12	3	377	79
11-AVMM7550S12	75	50	37	M12	3	372	69
11-AVMM10050S16	100	50	46	M16	3	560	99
11-AVMM10055S16	100	55	45	M16	4	635	79
11-AVMM10060S16	100	60	46	M16	4	700	50



* Cp Maximum load compression (kg)

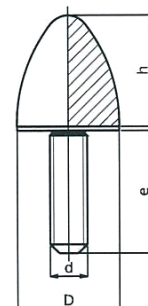
* Cz Maximum load shear (Kg)

**Available in stainless steel

4117 - Anti-Vibration Mount - Tapered

Rubber SBR 60° / 65° shore A & Zinc plated Steel • Used as shock-absorbers, feet and stroke end

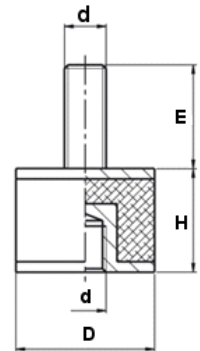
Part Number	D	h	e	d
11-AVMT2530S6	25	30	18	M6
11-AVMT3040S8	30	40	23	M8
11-AVMT4050S8	40	50	23	M8
11-AVMT5055S10	50	55	27	M10
11-AVMT7570S12	75	70	37	M12
11-AVMT10085S16	100	85	46	M16



4122 - Male / Female Anti-Vibration Mount

Rubber & Zinc Plated Steel

Part Number	D	h	E	d	s	Cp	Cz
11-AVMF1515S4	15	15	14	M4	1.5	20	4
11-AVMF2015S6	20	15	15	M6	1.5	50	4
11-AVMF2020S6	20	20	15	M6	1.5	40	3
11-AVMF2520S6	25	20	18	M6	2	60	6
11-AVMF2530S6	25	30	18	M6	2	40	4
11-AVMF3020S8	30	20	23	M8	2	90	10
11-AVMF3030S8	30	30	23	M8	2	80	8
11-AVMF3038S8	30	38	23	M8	2	65	6
11-AVMF4030S8	40	30	23	M8	2	120	16
11-AVMF4035S8	40	35	23	M8	2	100	14
11-AVMF5020S10	50	20	27	M10	3	220	22
11-AVMF5030S10	50	30	27	M10	3	200	20
11-AVMF5040S10	50	40	27	M10	3	170	18
11-AVMF5050S10	50	50	27	M10	3	150	14
11-AVMF6550S12-37	65	50	37	M12	2	350	30
11-AVMF7525S12	75	25	37	M12	3	500	90
11-AVMF7540S12	75	40	37	M12	3	490	80
11-AVMF7550S12	75	50	37	M12	3	480	70
11-AVMF10050S16	100	50	46	M16	3	850	100
11-AVMF10055S16	100	55	46	M16	4	800	80
11-AVMF10060S16	100	60	46	M16	4	700	50

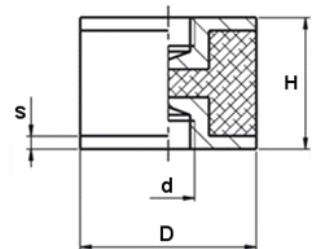


* Cp Maximum load compression (kg)
* Cz Maximum load shear (Kg)

4123 - Female / Female Anti-Vibration Mount

Rubber & Zinc Plated Steel

Part Number	D	h	d	s	Cp	Cz
11-AVFF1515S4	15	15	M4	1.5	20	4
11-AVFF2020S6	20	20	M6	1.5	40	3
11-AVFF2520S6	25	20	M6	2	60	6
11-AVFF2530S6	25	30	M6	2	40	4
11-AVFF3020S8	30	20	M8	2	90	10
11-AVFF3030S8	30	30	M8	2	80	8
11-AVFF3038S8	30	38	M8	2	65	6
11-AVFF4030S8	40	30	M8	2	120	16
11-AVFF4035S8	40	35	M8	2	100	14
11-AVFF5030S10	50	30	M10	3	200	20
11-AVFF5040S10	50	40	M10	3	170	18
11-AVFF5050S10	50	50	M10	3	150	14
11-AVFF6550S10	65	50	M12	2	350	30
11-AVFF7525S12	75	25	M12	3	500	90
11-AVFF7540S12	75	40	M12	3	490	80
11-AVFF7550S12	75	50	M12	3	480	70
11-AVFF10050S16	100	50	M16	3	850	100
11-AVFF10055S16	100	55	M16	4	800	80
11-AVFF10060S16	100	60	M16	4	700	50



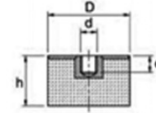
* Cp Maximum load compression (kg)
* Cz Maximum load shear (Kg)

4112 - Sealed End Female Antivibration Mount

Rubber & Zinc plated Steel • Threaded blind hole

Part Number	D	h	D	e	Cp
11-AVFP2520S6	25	20	M6	8	29
11-AVFP3020S8	30	20	M8	6	42

*Cp Maximum load compression (kg)

**4111 - Sealed End Male Antivibration Mount**

Rubber & Zinc Plated Steel

Part Number	D	h	D	e	Cp
11-AVMP4030S8	40	30	M8	23	75

4110 - Sealed End Male Antivibration Mount

Stainless Steel • Threaded Blind Hole

Part Number	D	h	D	e	Cp
11-AVMP2520SS6	25	20	M6	18	45

*Cp Maximum load compression (kg)



Non Skid Rubber Pad | NBR Rubber 70 Shore

11-FNSRP103	103
11-FNSRP123	123
11-FNSRP40M	40
11-FNSRP50M	50
11-FNSRP63	63
11-FNSRP83	83

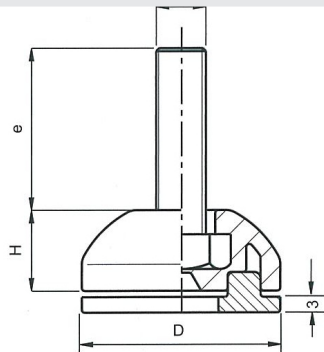


1188 -Thermoplastic Fixed Feet
Black Duroplast • Stud Treated Steel

• Optional Non Skid Rubber Pad

Part Number	D	H	d	e	Kg*
11-FFPB32S8-26	32	13	M8	26	800
11-FFPB32S10-23	32	13	M10	23	800
11-FFPB40S8-36	40	13	M8	36	800
11-FFPB40S10-33	40	13	M10	33	800

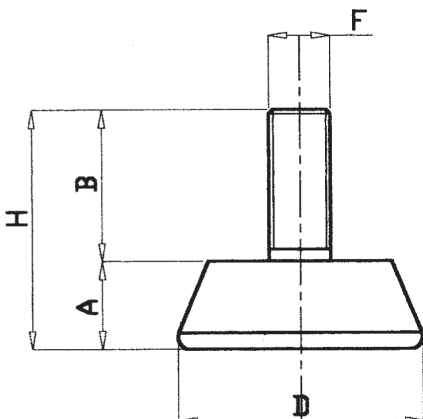
*Max Static Load



Non-slip Rubber Pad
Supplied as an accessory not mounted
32mm Part number 11-FNSRP32
40mm Part number 11-FNSRP40

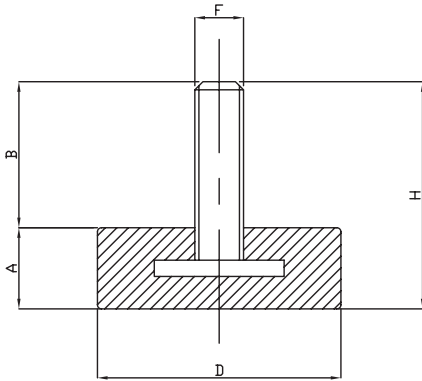
Polyamide Fixed Foot 30/40 Dia. Galvanised Steel Screw

Part no.	Screw	B	D	F	A	H	Newton
11-FFS30S8-20	M8X20	20	30	M8	11.5	31.5	2000
11-FFS30S10-20	M10X20	20	30	M10	11.5	31.5	2000
11-FFS40S8-25	M8X25	25	40	M8	14.5	39.5	2500



Rubber Fixed Foot 30/35 Dia. Galvanised Steel Screw

Part no.	Screw	A	D	F	B	H	Newton
11-FFPB30S6-18	M6X18	10	30	M6	18	28	1000

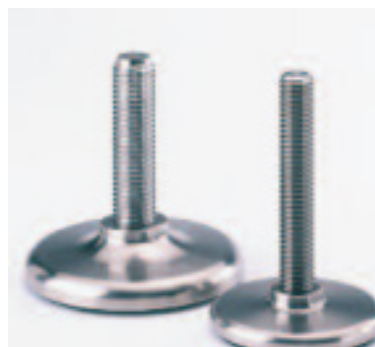
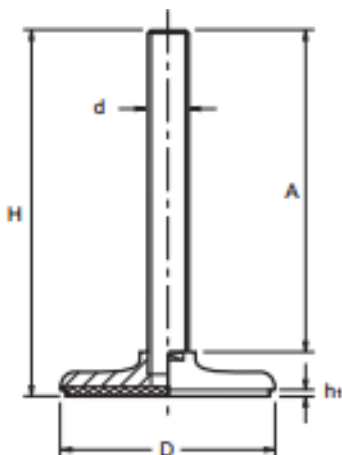


8208 - Stainless Steel Feet with Non-Slip Nitrile Rubber Pad bonded to base

Stainless Steel Base and Stud • Maximum static load calculated with vertical stud

Part Number	D	d	A	H	H1	Kg
11-FFSS40S8-40	50	M8	60	74	3	450
11-FFSS40S10-60	50	M10	80	94	3	600

* Max Static Load

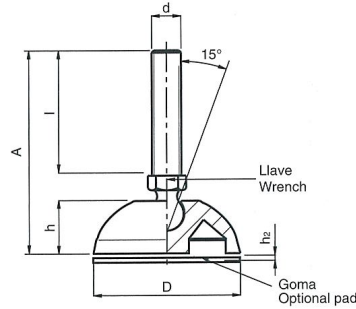


4204 - Adjustable Feet - Plastic - 60mm DIA

Reinforced Black Polyamide Base and Stud • Optional non skid rubber pad black PVC

* Max Static Load

Part Number	D	h	d	l	A	Wrench	h2	Kg*
11-AFP60P16-67	60	17	M16	67	101	24	3	700
11-AFP60P20-140	60	17	M20	140	174	24	3	750

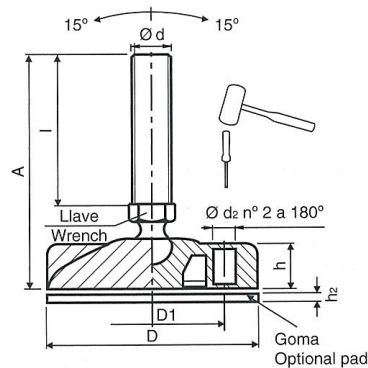


4204 - Adjustable Feet - Plastic - 80/102mm DIA

Reinforced Black Polyamide Base and Stud • Optional non skid rubber pad black PVC

* Max Static Load

Part Number	D	D1	h	d	l	A	d2	Wrench	h2	Kg*
11-AFP80P16-67	80	54	17	M16	67	104	9	24	3	700
11-AFP80P20-140	80	54	17	M20	140	177	9	24	3	750
11-AFP102P16-67	102	74	20	M16	67	107	10.5	24	3	700
11-AFP102P20-140	102	74	20	M20	140	180	10.5	24	3	750

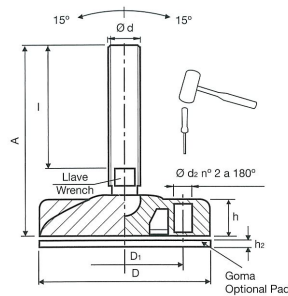


4201 - Adjustable Feet - 102/124 Steel Stud

Reinforced P.A.6, Black with Treated Steel • Punch out holes for foot to floor fixing

* Max Static Load – Vertical stud

Part Number	Kg*	D	D1	h	d	l	A	d2	Wrench	h2
11-AFP102S16-90	2200	102	74	20	M16	90	130	10.5	13	3
11-AFP102S16-125	2200	102	74	20	M16	125	165	10.5	13	3
11-AFP102S16-165	2200	102	74	20	M16	165	205	10.5	13	3
11-AFP102S20-116	2400	102	74	20	M20	116	160	10.5	17	3
11-AFP102S20-206	2400	102	74	20	M20	206	250	10.5	17	3
11-AFP124S16-90	2500	124	94	24	M16	90	134	10.5	13	3
11-AFP124S16-125	2500	124	94	24	M16	125	169	10.5	13	3
11-AFP124S16-165	2500	124	94	24	M16	165	209	10.5	13	3
11-AFP124S20-116	2700	124	94	24	M20	116	164	10.5	17	3
1-AFP124S20-206	2700	124	94	24	M20	206	254	10.5	17	3

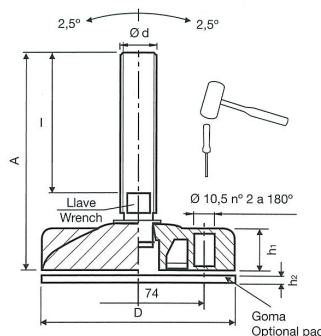


4202 - Adjustable Feet 102 for Heavy Loads - 102mm DIA

Reinforced P.A.6 Black Plastic Base • Zinc Plated Steel Stud • Optional non skid rubber pad black PVC

* Max Static Load – Vertical stud

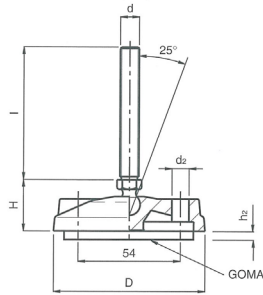
Part Number	Kg*	D	h1	d	l	A	Wrench	h2
11-AFH102S16-119	3300	102	20	M16	119	159	13	3
11-AFH102S16-201	3300	102	20	M16	201	241	13	3
11-AFH102S20-107	3500	102	20	M20	107	150	17	3
11-AFH102S20-157	3500	102	20	M20	157	200	17	3
11-AFH102S24-162	3700	102	20	M24	162	208	19	3



1190 - Adjustable Feet with Thru Holes

Reinforced P.A. 6, Black with Treated Steel • Max Static Load 10.000 N (vertical stud)

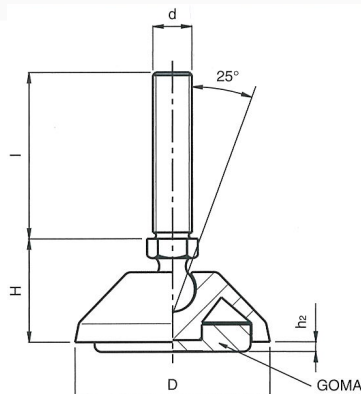
Part Number	D	H	d	l	h2	d2
11-AFP80S8-45H	80	27	M8	45	2	9
11-AFP80S8-70	80	27	M8	70	2	9
11-AFP80S10-45H	80	27	M10	45	2	9
11-AFP80S10-70	80	27	M10	70	2	9
11-AFP80S12-45	80	27	M12	45	2	9
11-AFP80S12-70H	80	27	M12	70	2	9
11-AFP80S14-70	80	27	M14	70	2	9
11-AFP80S14-120	80	27	M14	120	2	9
11-AFP80S16-70H	80	27	M16	70	2	9
11-AFP80S16-120	80	27	M16	120	2	9
11-AFP80S20-100	80	27	M20	100	2	9



1189 - Thermoplastic Adjustable Feet

Reinforced P.A.6, Black with Treated Steel • Optional Non Skid Rubber Pad

Part Number	D	H	d	l	h2	Kg
11-AFP32S8-45	32	13	M8	45	2	1000
11-AFP50S8-45	50	27	M8	45	2	1000
11-AFP80S8-45	80	27	M8	45	2	1000
11-AFP32S10-45	32	13	M10	45	2	1000
11-AFP50S10-45	50	27	M10	45	2	1000
11-AFP50S10-70	50	27	M10	70	2	1000
11-AFP50S12-70	50	27	M12	70	2	1000
11-AFP80S16-70A	80	27	M16	70	2	1000



Non-slip Rubber Pad

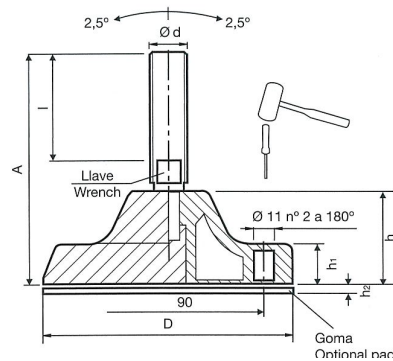
Supplied as an accessory not mounted
32mm Part number 11-FNSRP32
50mm Part Number 11-FNSRP50

4202 - Adjustable Feet for Heavy Loads - 121mm DIA

Reinforced P.A.6, Black with Treated Steel Stud • Zinc Plated Steel Stud • Optional non-slip rubber pad black PVC

* Max Static Load – Vertical stud

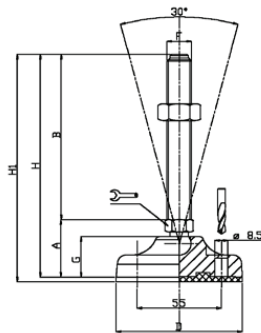
Part Number	Kg*	D	h	h1	d	l	A	Wrench	h2
11-AFH121S16-119	4300	121	41	20	M16	119	176	13	5
11-AFH121S16-201	4300	121	41	20	M16	201	258	13	5
11-AFH121S20-107	4500	121	41	20	M20	107	167	17	5
11-AFH121S20-157	4500	121	41	20	M20	157	217	17	5
11-AFH121S24-162	4700	121	41	20	M24	162	225	19	5
11-AFH121S24-90	4700	121	41	20	M24	90	153	19	5
11-AFH121S30-125	5000	121	41	20	M30	125	188	24	5
11-AFH121S30-185	5000	121	41	20	M30	185	248	24	5



Flat Plastic Base 83mm Dia. with Articulated Steel Screw 30deg

Black Polyamide

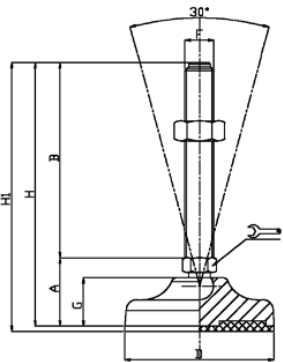
Part no.	Screw	A	B	D	F	G	H	Newton
11-AFP83S10-50	M10X50	30	50	83	M10	18	83	10000
11-AFP83S12-100	M12X100	30	100	83	M12	18	130	13000
11-AFP83S12-50	M12X50	30	50	83	M12	18	80	13000
11-AFP83S16-100	M16X100	30	100	83	M16	18	130	16000



Black Polyamide Plastic Base 40 Diameter - 30 Deg. Articulated Steel Screw

Static Load Newton 10000 • 12 Socket • Non-Skid NBR Rubber 70 shore pads available

Part no. Base	Part no. Screw	Screw	S	B	D	Adjust	F	G	H
11-FBP12-40	11-ASS12-8-025	M8X25	27	25	40	12	M8	16.5	52
11-FBP12-40	11-ASS12-8-050	M8X50	27	50	40	12	M8	16.5	77
11-FBP12-40	11-ASS12-8-075	M8X75	27	75	40	12	M8	16.5	102
11-FBP12-40	11-ASS12-10-050	M10X50	27	50	40	12	M10	16.5	77
11-FBP12-40	11-ASS12-10-100	M10X100	27	100	40	12	M10	16.5	127
11-FBP12-40	11-ASS12-10-125	M10X125	27	125	40	12	M10	16.5	152
11-FBP12-40	11-ASS12-12-075	M12X75	27	75	40	12	M12	16.5	102
11-FBP12-40	11-ASS12-12-100	M12X100	27	100	40	12	M12	16.5	127
11-FBP12-40	11-ASS12-12-125	M12X125	27	125	40	12	M12	16.5	152
11-FBP12-40	11-ASS12-12-150	M12X150	27	150	40	12	M12	16.5	177

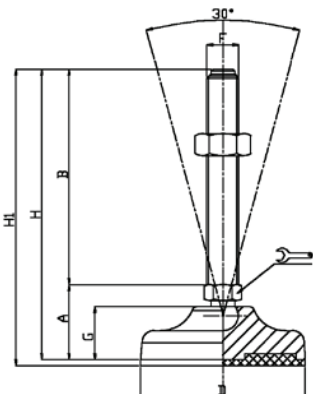


Two piece part - choose base and screw separately to suit your application

Black Polyamide Plastic Base 50 Diameter - 30 Deg. Articulated Steel Screw

Static Load Newton 11000 • 12 Socket • Non-Skid NBR Rubber 70 shore pads available

Part no. Base	Part no. Screw	Screw	S	B	D	Adjust	F	G	H
11-FBP12-50	11-ASS12-10-050	M10X50	30	50	50	14	M10	20	80
11-FBP12-50	11-ASS12-10-100	M10X100	30	100	50	14	M10	20	133
11-FBP12-50	11-ASS12-10-125	M10X125	30	125	50	14	M10	20	155
11-FBP12-50	11-ASS12-12-075	M12X75	30	75	50	14	M12	20	105
11-FBP12-50	11-ASS12-12-100	M12X100	30	100	50	14	M12	20	130
11-FBP12-50	11-ASS12-12-125	M12X125	30	125	50	14	M12	20	155

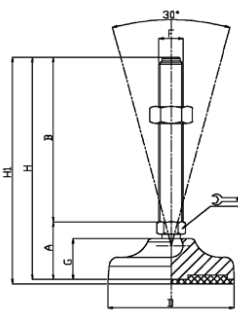


Two piece part - choose base and screw separately to suit your application

Black Polyamide Plastic Base 50 Diameter - 30 Deg. Articulated Steel Screw

Static Load Newton 10000 • 15 Socket • Non-Skid NBR Rubber 70 shore pads available

Part no. Base	Part no. Screw	Screw	S	B	D	Adjust	F	G	H
11-FBP15-50	11-ASS15-10-050	M10X50	30	50	50	14	M10	20	80
11-FBP15-50	11-ASS15-10-100	M10X100	30	100	50	14	M10	20	130
11-FBP15-50	11-ASS15-10-125	M10X125	30	125	50	14	M10	20	155
11-FBP15-50	11-ASS15-12-075	M12X75	30	75	50	14	M12	20	105
11-FBP15-50	11-ASS15-12-100	M12X100	30	100	50	14	M12	20	130
11-FBP15-50	11-ASS15-12-150	M12X150	30	150	50	14	M12	20	155

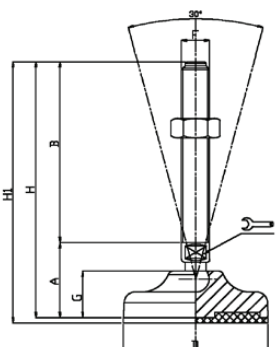


Two piece part - choose base and screw separately to suit your application

Black Polyamide Plastic Base 65 Diameter - 30 Deg. Articulated Steel Screw

Static Load Newton 11000 • 15 Socket • Non-Skid NBR Rubber 70 shore pads available

Part no. Base	Part no. Screw	Screw	S	B	D	Adjust	F	G	H
11-FBP15-65	11-ASS15-10-050	M10X50	33	50	65	14	M10	23	83
11-FBP15-65	11-ASS15-10-100	M10X100	33	100	65	14	M10	23	133
11-FBP15-65	11-ASS15-10-125	M10X125	33	125	65	14	M10	23	158
11-FBP15-65	11-ASS15-12-075	M12X75	33	75	65	14	M12	23	108
11-FBP15-65	11-ASS15-12-100	M12X100	33	100	65	14	M12	23	133
11-FBP15-65	11-ASS15-12-125	M12X125	33	150	65	14	M12	23	158
11-FBP15-65	11-ASS15-16-075	M16X75	33	75	65	16	M16	23	108
11-FBP15-65	11-ASS15-16-100	M16X100	33	100	65	16	M16	23	133
11-FBP15-65	11-ASS15-16-125	M16X125	33	125	65	16	M16	23	158
11-FBP15-65	11-ASS15-16-150	M16X150	33	150	65	16	M16	23	183
11-FBP15-65	11-ASS15-16-175	M16X175	33	175	65	16	M16	23	208

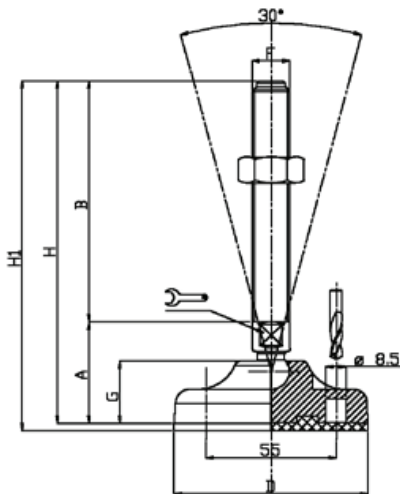


Two piece part - choose base and screw separately to suit your application

Black Polyamide Plastic Base 83 Diameter - 30 Deg. Articulated Steel Screw

Static Load Newton M10-12 15000 M16-M20 20000 • 15 Socket • Non-Skid NBR Rubber 70 shore pads available

Part no. Base	Part no. Screw	Screw	S	B	D	Adjust	F	G	H
11-FBP15-83	11-ASS15-10-050	M10X50	38	50	83	14	M10	27	88
11-FBP15-83	11-ASS15-10-100	M10X100	38	100	83	14	M10	27	138
11-FBP15-83	11-ASS15-10-125	M10X125	38	125	83	14	M10	27	163
11-FBP15-83	11-ASS15-12-075	M12X75	38	75	83	14	M12	27	113
11-FBP15-83	11-ASS15-12-100	M12X100	38	100	83	14	M12	27	138
11-FBP15-83	11-ASS15-12-150	M12X150	38	150	83	14	M12	27	191
11-FBP15-83	11-ASS15-16-075	M16X75	38	75	83	16	M16	27	113
11-FBP15-83	11-ASS15-16-100	M16X100	38	100	83	16	M16	27	138
11-FBP15-83	11-ASS15-16-150	M16X150	38	150	83	16	M16	27	183
11-FBP15-83	11-ASS15-16-175	M16X175	38	175	83	16	M16	27	213
11-FBP15-83	11-ASS15-20-100	M20X100	41	100	83	17	M20	27	141
11-FBP15-83	11-ASS15-20-150	M20X150	41	150	83	17	M20	27	191
11-FBP15-83	11-ASS15-20-175	M20X175	41	175	83	17	M20	27	216
11-FBP15-83	11-ASS15-20-200	M20X200	41	200	83	17	M20	27	241



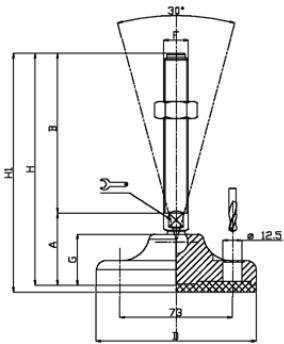
Two piece part - choose base and screw separately to suit your application

Two piece part - choose base and screw separately to suit your application

Black Polyamide Plastic Base 103 Diameter - 30 Deg. Articulated Steel Screw

Static Load Newton 25000 • 15 Socket • Non-Skid NBR Rubber 70 shore pads available

Part no. Base	Part no. Screw	Screw	S	B	D	Adjust	F	G	H
11-FBP15-103	11-ASS15-16-075	M16X75	51	75	103	20	M16	32	126
11-FBP15-103	11-ASS15-16-100	M16X100	51	100	103	20	M16	32	151
11-FBP15-103	11-ASS15-16-125	M16X125	51	125	103	20	M16	32	176
11-FBP15-103	11-ASS15-16-150	M16X150	51	150	103	20	M16	32	201
11-FBP15-103	11-ASS15-16-175	M16X175	51	175	103	20	M16	32	226
11-FBP15-103	11-ASS15-20-100	M20X100	51	100	103	20	M20	32	151
11-FBP15-103	11-ASS15-20-150	M20X150	51	150	103	20	M20	32	201
11-FBP15-103	11-ASS15-20-175	M20X175	51	175	103	20	M20	32	226
11-FBP15-103	11-ASS15-20-200	M20X200	51	200	103	20	M20	32	251

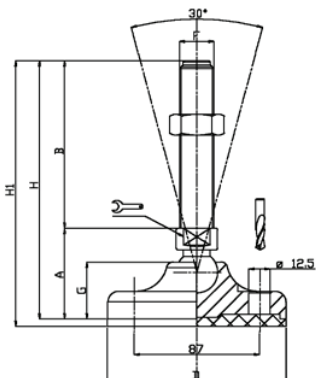


Two piece part - choose base and screw separately to suit your application

Black Polyamide Plastic Base 123 Diameter - 30 Deg. Articulated Steel Screw

Static Load Newton 35000 • 15 Socket • Non-Skid NBR Rubber 70 shore pads available

Part no. Base	Part no. Screw	Screw	S	B	D	Adjust	F	G	H
11-FBP15-123	11-ASS15-16-075	M16X75	57	75	123	20	M16	37	132
11-FBP15-123	11-ASS15-16-100	M16X100	57	100	123	20	M16	37	157
11-FBP15-123	11-ASS15-16-125	M16X125	57	125	123	20	M16	37	182
11-FBP15-123	11-ASS15-16-150	M16X150	57	150	123	20	M16	37	207
11-FBP15-123	11-ASS15-16-175	M16X175	57	175	123	20	M16	37	232
11-FBP15-123	11-ASS15-20-100	M20X100	57	100	123	20	M20	37	157
11-FBP15-123	11-ASS15-20-150	M20X150	57	150	123	20	M20	37	207
11-FBP15-123	11-ASS15-20-175	M20X175	57	175	123	20	M20	37	232
11-FBP15-123	11-ASS15-20-200	M20X200	57	200	123	20	M20	37	257



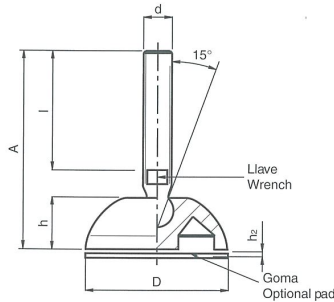
Two piece part - choose base and screw separately to suit your application

4201 - Adjustable Feet - 40/50 Stainless Steel Stud

Reinforced P.A.6 Black Plastic Base • Stainless Steel Stud

* Max Static Load – Vertical stud

Part Number	Kg*	D	h	d	l	A	Wrench	h2
11-AFP40SS8-45	1000	40	13	M8	45	68	6	2.5
11-AFP40SS8-65	1000	40	13	M8	65	88	6	2.5
11-AFP40SS10-35	1100	40	13	M10	35	60	8	2.5
11-AFP40SS10-70	1100	40	13	M10	70	95	8	2.5
11-AFP50SS8-45	1100	50	13	M8	45	68	6	2.5
11-AFP50SS8-65	1100	50	13	M8	65	88	6	2.5
11-AFP50SS10-35	1200	50	13	M10	35	60	8	2.5
11-AFP50SS10-70	1200	50	13	M10	70	95	8	2.5
11-AFP50SS12-43	1300	50	13	M12	43	70	10	2.5
11-AFP50SS12-63	1300	50	13	M12	63	90	10	2.5



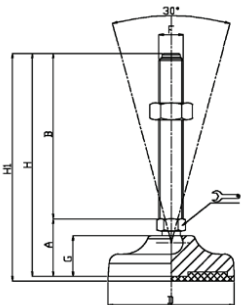
Optional Non-slip Rubber Pad / Black PVC

Supplied as an accessory not mounted
40mm Part Number 11-FNSRP4201-40
50mm Part Number 11-FNSRP4201-50

Black Polyamide Plastic Base 40 Dia. - 30 Deg. Articulated Stainless Steel Screw

Static Load 10000 Newton • Non-Skid NBR Rubber 70 shore pads available

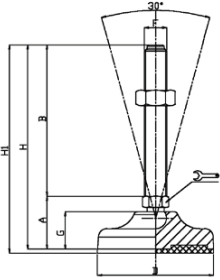
Part no. Base	Screw	A	B	D	Adjust	F	G	H
11-AFP40SS8-50	M8X50	27	50	40	12	M8	16.5	77
11-AFP40SS8-75	M8X75	27	75	40	12	M8	16.5	102
11-AFP40SS10-25	M10X25	27	25	40	12	M10	16.5	52
11-AFP40SS10-50	M10X50	27	50	40	12	M10	16.5	77
11-AFP40SS10-75	M10X75	27	75	40	12	M10	16.5	102



Plastic Base 50mm Dia. with Articulated Stainless Steel Screw 30 deg.

Black Polyamide

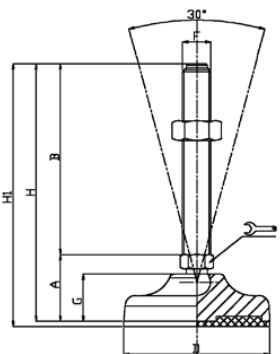
Part no.	Screw	A	B	D	F	G	H	Newton
11-AFP50SS10-75	M10x75	30	75	50	M10	20	105	11000
11-AFP50SS12-50	M12x50	30	50	50	M12	20	80	11000



Black Polyamide Plastic Base 40 Diameter - 30 Deg. Articulated Stainless Steel Screw

Static Load 10000 Newton • 12 Socket • Non-Skid NBR Rubber 70 shore pads available

Part no. Base	Part no. Screw	Screw	S	B	D	Adjust	F	G	H
11-FBP12-40	11-ASSS12-8-025	M8X25	27	25	40	12	M8	16.5	52
11-FBP12-40	11-ASSS12-8-050	M8X50	27	50	40	12	M8	16.5	77
11-FBP12-40	11-ASSS12-8-075	M8X75	27	75	40	12	M8	16.5	102
11-FBP12-40	11-ASSS12-10-050	M10X50	27	50	40	12	M10	16.5	77
11-FBP12-40	11-ASSS12-10-100	M10X100	27	100	40	12	M10	16.5	127
11-FBP12-40	11-ASSS12-10-125	M10X125	27	125	40	12	M10	16.5	152
11-FBP12-40	11-ASSS12-12-075	M12X75	27	75	40	12	M12	16.5	102
11-FBP12-40	11-ASSS12-12-100	M12X100	27	100	40	12	M12	16.5	127

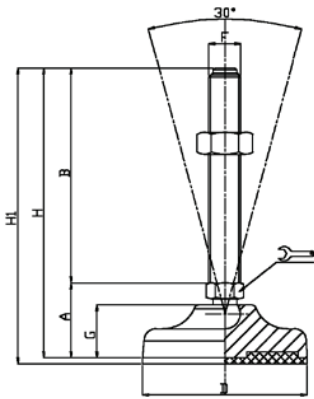


Two piece part - choose base and screw separately to suit your application

Black Polyamide Plastic Base 50 Diameter - 30 Deg. Articulated Stainless Steel Screw

Static Load 11000 Newton • 12 Socket • Non-Skid NBR Rubber 70 shore pads available

Part no. Base	Part no. Screw	Screw	S	B	D	Adjust	F	G	H
11-FBP12-50	11-ASSS12-10-050	M10X50	30	50	50	14	M10	20	80
11-FBP12-50	11-ASSS12-10-100	M10X100	30	100	50	14	M10	20	130
11-FBP12-50	11-ASSS12-10-125	M10X125	30	125	50	14	M10	20	155
11-FBP12-50	11-ASSS12-12-075	M12X75	30	75	50	14	M12	20	105
11-FBP12-50	11-ASSS12-12-100	M12X100	30	100	50	14	M12	20	130
11-FBP12-50	11-ASSS12-12-125	M12X125	30	125	50	14	M12	20	155

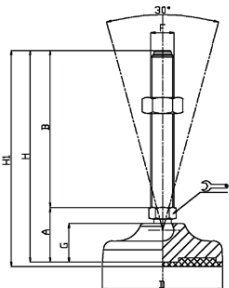


Two piece part - choose base and screw separately to suit your application

Black Polyamide Plastic Base 50 Diameter - 30 Degree Articulated Stainless Steel Screw

Static Load 11000 Newton • 15 Socket • Non-Skid NBR Rubber 70 shore pads available

Part no. Base	Part no. Screw	Screw	S	B	D	Adjust	F	G	H
11-FBP15-50	11-ASSS15-10-050	M10X50	30	50	50	14	M10	20	80
11-FBP15-50	11-ASSS15-10-100	M10X100	30	100	50	14	M10	20	130
11-FBP15-50	11-ASSS15-10-125	M10X125	30	125	50	14	M10	20	155
11-FBP15-50	11-ASSS15-12-075	M12X75	30	75	50	14	M12	20	105
11-FBP15-50	11-ASSS15-12-100	M12X100	30	100	50	14	M12	20	130
11-FBP15-50	11-ASSS15-12-125	M12X125	30	125	50	14	M12	20	155

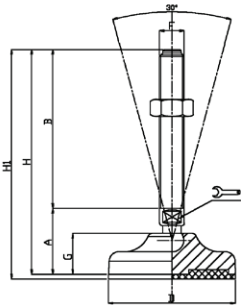


Two piece part - choose base and screw separately to suit your application

Black Polyamide Plastic Base 65 Diameter - 30 Deg. Articulated Stainless Steel Screw

- 15 Socket
- Non-Skid NBR Rubber 70 shore pads available

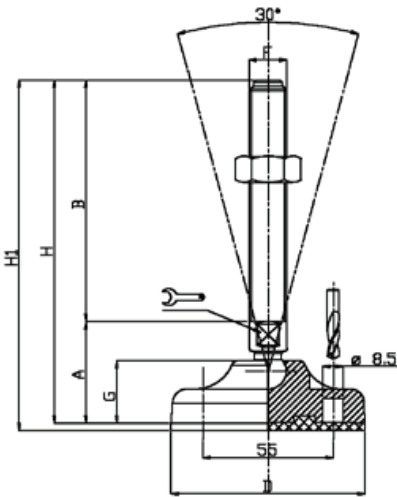
Part no. Base	Part no. Screw	Screw	S	B	D	Adjust	F	G	H	Load
11-FBP15-65	11-ASSS15-10-050	M10X50	33	50	65	14	M10	23	83	1100 Newton
11-FBP15-65	11-ASSS15-10-100	M10X100	33	100	65	14	M10	23	133	
11-FBP15-65	11-ASSS15-10-125	M10X125	33	125	65	14	M10	23	158	
11-FBP15-65	11-ASSS15-12-075	M12X75	33	75	65	14	M12	23	108	
11-FBP15-65	11-ASSS15-12-100	M12X100	33	100	65	14	M12	23	133	
11-FBP15-65	11-ASSS15-12-125	M12X125	33	125	65	14	M12	23	158	
11-FBP15-65	11-ASSS15-16-075	M16X75	37	75	65	14	M16	23	112	1500 Newton
11-FBP15-65	11-ASSS15-16-100	M16X100	37	100	65	14	M16	23	137	
11-FBP15-65	11-ASSS15-16-125	M16X125	37	125	65	14	M16	23	162	
11-FBP15-65	11-ASSS15-16-150	M16X150	37	150	65	14	M16	23	187	
11-FBP15-65	11-ASSS15-16-175	M16X175	37	175	65	14	M16	23	212	
11-FBP15-65	11-ASSS15-20-100	M20X100	37	100	65	14	M20	23	137	
11-FBP15-65	11-ASSS15-20-150	M20X150	37	150	65	14	M20	23	187	
11-FBP15-65	11-ASSS15-20-175	M20X175	37	175	65	14	M20	23	212	
11-FBP15-66	11-ASSS15-20-200	M20X200	37	200	65	14	M20	23	237	



Two piece part - choose base and screw separately to suit your application

Black Polyamide Plastic Base 83 Diameter - 30 Deg. Articulated Stainless Steel Screw
 Static Load Newton M10-M12 15000, M16-M20 20000 • 15 Socket • Non-Skid NBR Rubber 70 shore pads available

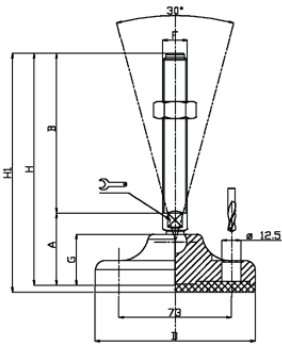
Part no. Base	Part no. Screw	Screw	S	B	D	Adjust	F	G	H
11-FBP15-83	11-ASSS15-10-050	M10X50	38	50	83	14	M10	27	88
11-FBP15-83	11-ASSS15-10-100	M10X100	38	100	83	14	M10	27	138
11-FBP15-83	11-ASSS15-10-125	M10X125	38	125	83	14	M10	27	163
11-FBP15-83	11-ASSS15-12-075	M12X75	38	75	83	14	M12	27	113
11-FBP15-83	11-ASSS15-12-100	M12X100	38	100	83	14	M12	27	138
11-FBP15-83	11-ASSS15-12-125	M12X125	38	125	83	14	M12	27	163
11-FBP15-83	11-ASSS15-12-150	M12X150	38	150	83	14	M12	27	191
11-FBP15-83	11-ASSS15-16-075	M16X75	41	75	83	13	M16	27	116
11-FBP15-83	11-ASSS15-16-100	M16X100	41	100	83	13	M16	27	141
11-FBP15-83	11-ASSS15-16-125	M16X125	41	125	83	13	M16	27	166
11-FBP15-83	11-ASSS15-16-150	M16X150	41	150	83	13	M16	27	191
11-FBP15-83	11-ASSS15-16-175	M16X175	41	175	83	13	M16	27	216
11-FBP15-83	11-ASSS15-20-100	M20X100	41	100	83	13	M20	27	141
11-FBP15-83	11-ASSS15-20-150	M20X150	41	150	83	13	M20	27	191
11-FBP15-83	11-ASSS15-20-175	M20X175	41	175	83	13	M20	27	216
11-FBP15-83	11-ASSS15-20-200	M20X200	41	200	83	13	M20	27	241



Black Polyamide Plastic Base 103 Diameter - 30 Deg. Articulated Stainless Steel Screw

Static Load Newton 25000 • 15 Socket • Non-Skid NBR Rubber 70 shore pads available

Part no. Base	Part no. Screw	Screw	S	B	D	Adjust	F	G	H
11-FBP15-103	11-ASSS15-16-075	M16X75	51	75	103	20	M16	32	126
11-FBP15-103	11-ASSS15-16-100	M16X100	51	100	103	20	M16	32	151
11-FBP15-103	11-ASSS15-16-150	M16X150	51	150	103	20	M16	32	201
11-FBP15-103	11-ASSS15-16-175	M16X175	51	175	103	20	M16	32	226
11-FBP15-103	11-ASSS15-20-100	M20X100	51	100	103	20	M20	32	151
11-FBP15-103	11-ASSS15-20-150	M20X150	51	150	103	20	M20	32	201
11-FBP15-103	11-ASSS15-20-175	M20X175	51	175	103	20	M20	32	226
11-FBP15-103	11-ASSS15-20-200	M20X200	51	200	103	20	M20	32	251

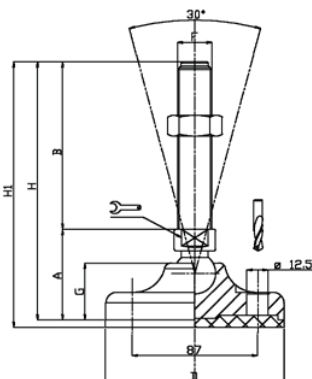


Two piece part - choose base and screw separately to suit your application

Black Polyamide Plastic Base 123 Dia. - 30 Deg. Articulated Stainless Steel Screw

Static Load Newton 35000 • 15 Socket • Non-Skid NBR Rubber 70 shore pads available

Part no. Base	Part no. Screw	Screw	S	B	D	Adjust	F	G	H
11-FBP15-123	11-ASSS15-16-075	M16X75	57	75	123	20	M16	37	132
11-FBP15-123	11-ASSS15-16-100	M16X100	57	100	123	20	M16	37	157
11-FBP15-123	11-ASSS15-16-150	M16X150	57	150	123	20	M16	37	207
11-FBP15-123	11-ASSS15-16-175	M16X175	57	175	123	20	M16	37	232
11-FBP15-123	11-ASSS15-20-100	M20X100	57	100	123	20	M20	37	157
11-FBP15-123	11-ASSS15-20-150	M20X150	57	150	123	20	M20	37	207
11-FBP15-123	11-ASSS15-20-175	M20X175	57	175	123	20	M20	37	232
11-FBP15-123	11-ASSS15-20-200	M20X200	57	200	123	20	M20	37	257



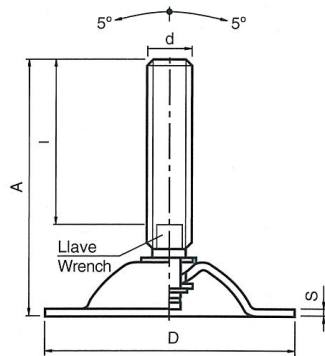
Two piece part - choose base and screw separately to suit your application

4205 - Steel Feet

Zinc-Coated Steel Base and Stud • Maximum static load calculated with vertical stud

* Max Static Load

Part Number	D	A	d	l	Wrench	Kg*
11-AF113S16-58	113	100	M16	58	13	1500
11-AF113S16-145	113	187	M16	145	13	1500
11-AF113S20-107	113	152	M20	107	17	1500
11-AF113S20-157	113	202	M20	157	17	1500
11-AF113S24-90	113	138	M24	90	19	1500
11-AF113S24-162	113	210	M24	162	19	1500
11-AF113S30-125	113	173	M30	125	24	1500

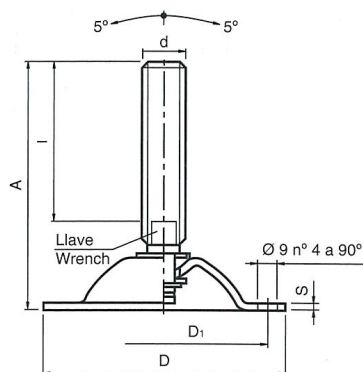


4206 - Steel Feet with Holes

Zinc-Coated Steel Base and Stud • Maximum static load calculated with vertical stud

* Max Static Load

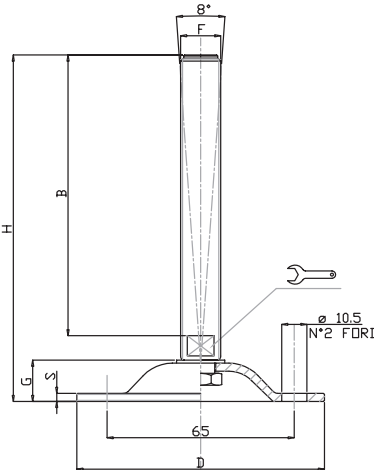
Part Number	D	A	d	l	D1	Wrench	Kg*
11-AFH113S16-58	113	100	M16	58	95	13	1500
11-AFH113S16-145	113	187	M16	145	95	13	1500
11-AFH113S20-107	113	152	M20	107	95	17	1500
11-AFH113S20-157	113	202	M20	157	95	17	1500
11-AFH113S24-90	113	138	M24	90	95	19	1500
11-AFH113S24-162	113	210	M24	162	95	19	1500
11-AFH113S30-125	113	173	M30	125	95	24	1500



Galvanised Steel Pressed Base 85 Diameter – 8 Deg. Articulated Screw

Static load 15000 Newton • 2 fixing holes • 2 Piece part ready for assembly

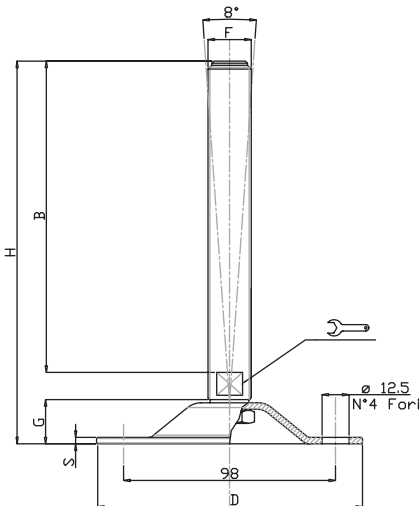
Part no. Base	Part no. Screw	Screw	S	B	D	Adjust	F	G	H
11-FBGS85	11-ASS16X100	M16X100	3	100	85	13	M16	13	125
11-FBGS85	11-ASS16X150	M16X150	3	150	85	13	M16	13	175
11-FBGS85	11-ASS20X100	M20X100	3	100	85	17	M20	13	125
11-FBGS85	11-ASS20X150	M20X150	3	150	85	17	M20	13	175



Galvanised Steel Pressed Base 124 Diameter – 8 Deg. Articulated Screw

Static load 20000 Newton • 2 Piece part ready for assembly

Part no. Base	Part no. Screw	Screw	S	B	D	Adjust	F	G	H
11-FBGS124	11-ASS16X100	M16X100	4	100	124	17	M16	20.5	134
11-FBGS124	11-ASS16X150	M16X150	4	150	124	17	M16	20.5	184
11-FBGS124	11-ASS20X100	M20X100	4	100	124	17	M20	20.5	134
11-FBGS124	11-ASS20X150	M20X150	4	150	124	17	M20	20.5	184

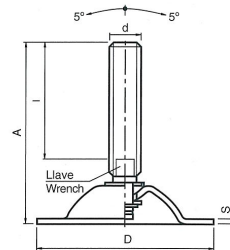


4205 - Stainless Steel Feet

Stainless Steel Base and Stud • Maximum static load calculated with vertical stud

* Max Static Load

Part Number	D	A	d	l	Wrench	Kg*
11-AF113SS16-58	113	100	M16	58	13	1000
11-AF113SS16-145	113	187	M16	145	13	1000
11-AF113SS20-107	113	152	M20	107	17	1000
11-AF113SS20-157	113	202	M20	157	17	1000
11-AF113SS24-90	113	138	M24	90	19	1000
11-AF113SS24-162	113	210	M24	162	19	1000
11-AF113SS30-125	113	173	M30	125	24	1000

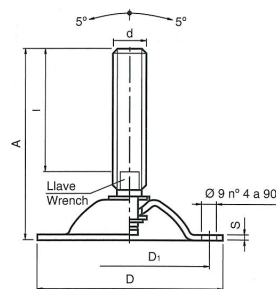


4206 - Stainless Steel Feet with Holes

Stainless Steel Base and Stud • Maximum static load calculated with vertical stud

* Max Static Load

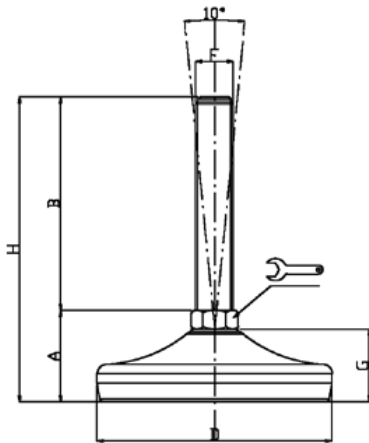
Part Number	D	A	d	l	D1	Wrench	Kg*
11-AFH113SS16-58	113	100	M16	58	95	13	1000
11-AFH113SS16-145	113	187	M16	145	95	13	1000
11-AFH113SS20-107	113	152	M20	107	95	17	1000
11-AFH113SS20-157	113	202	M20	157	95	17	1000
11-AFH113SS24-90	113	138	M24	90	95	19	1000
11-AFH113SS24-162	113	210	M24	162	95	19	1000
11-AFH113SS30-125	113	173	M30	125	95	24	1000



Stainless Steel - Base 50 Diameter - 10 Deg. Articulated Screw

Static Load 4000 Newton • 2 Piece part ready for assembly • Pad: Vulcanised rubber NBR 80 shore

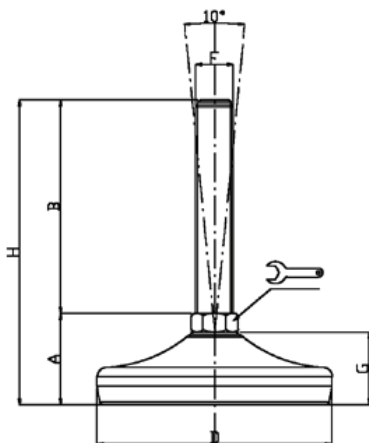
Part no. Base	Part no. Screw	Screw	S	B	D	Adjust	F	G	H
11-FBSS50	11-FSSS10-75	M10X75	29	75	50	14	M10	19	104
11-FBSS50	11-FSSS12-100	M12X100	29	100	50	14	M12	19	129
11-FBSS50	11-FSSS16-100	M16X100	32	100	50	13	M16	19	132
11-FBSS50	11-FSSS16-150	M16X150	32	150	50	13	M16	19	182



Stainless Steel - Base 80 Diameter - 10 Deg. Articulated Screw

Static Load 10000 Newton • 2 Piece part ready for assembly • Pad: Vulcanised rubber NBR 80 shore

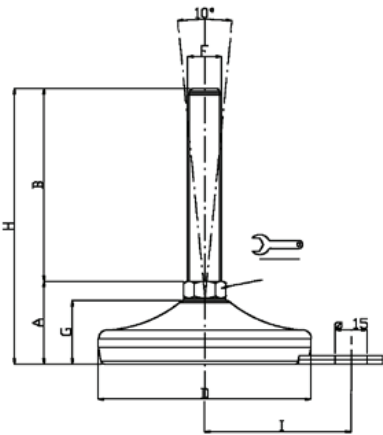
Part no. Base	Part no. Screw	Screw	S	B	D	Adjust	F	G	H
11-FBSS80	11-FSSS10-75	M10X75	35	75	80	14	M10	25	110
11-FBSS80	11-FSSS12-100	M12X100	35	100	80	14	M12	25	135
11-FBSS80	11-FSSS16-100	M16X100	38	100	80	13	M16	25	138
11-FBSS80	11-FSSS16-150	M16X150	38	150	80	13	M16	25	188
11-FBSS80	11-FSSS20-100	M20X100	38	100	80	17	M20	25	138
11-FBSS80	11-FSSS20-150	M20X150	38	150	80	17	M20	25	188
11-FBSS80	11-FSSS20-175	M20X175	38	175	80	17	M20	25	213



Stainless Steel - Base 80 Diameter Bolt Down- 10 Deg. Articulated Screw

Static Load 10000 Newton • 2 Piece part ready for assembly • Pad: Vulcanised rubber NBR 80 shore

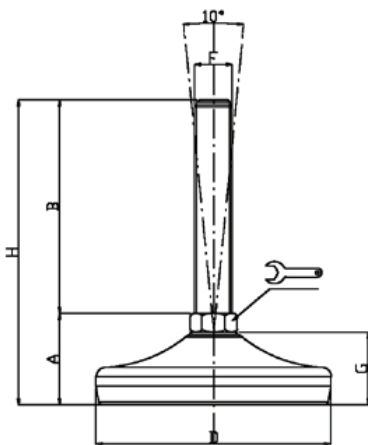
Part no. Base	Part no. Screw	Screw	S	B	D	Adjust	F	G	H
11-FBSS80BD	11-FSSS10-75	M10X75	35	75	80	14	M10	25	110
11-FBSS80BD	11-FSSS12-100	M12X100	35	100	80	14	M12	25	135
11-FBSS80BD	11-FSSS16-100	M16X100	38	100	80	13	M16	25	138
11-FBSS80BD	11-FSSS16-150	M16X150	38	150	80	13	M16	25	188
11-FBSS80BD	11-FSSS20-100	M20X100	38	100	80	17	M20	25	138
11-FBSS80BD	11-FSSS20-150	M20X150	38	150	80	17	M20	25	188
11-FBSS80BD	11-FSSS20-175	M20X175	38	175	80	17	M20	25	213



Stainless Steel - Base 100 Diameter - 10 Deg. Articulated Screw

Static Load 15000 Newton • 2 Piece part ready for assembly • Pad: Vulcanised rubber NBR 80 shore

Part no. Base	Part no. Screw	Screw	S	B	D	Adjust	F	G	H
11-FBSS100	11-FSSS16-100	M16X100	42	100	100	13	M16	30	142
11-FBSS100	11-FSSS16-150	M16X150	42	150	100	13	M16	30	192
11-FBSS100	11-FSSS20-100	M20X100	42	100	100	17	M20	30	142
11-FBSS100	11-FSSS20-150	M20X150	42	150	100	17	M20	30	192
11-FBSS100	11-FSSS20-175	M20X175	42	175	100	17	M20	30	217

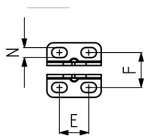
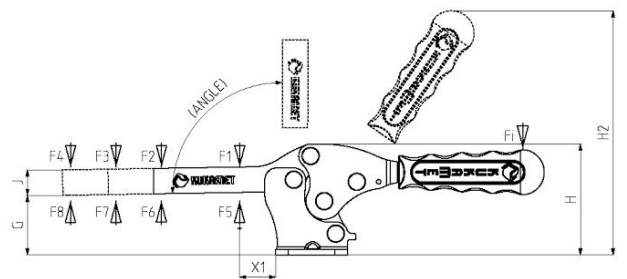


111 - Horizontal Toggle Clamps

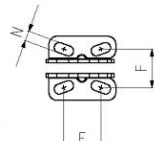
Body Mounting Base: Horizontal

Part Number	F1 (N)	F2 (N)	F3 (N)	F4 (N)	Fi		Compression Screw	Angle
					F1:Fi	F2:Fi		
19-111-0	450	300	520	350	5:1	2:1	M4 x 25	90 °
19-111-1	850	650	1000	800	7:1	3:1	M5 x 35	90 °
19-111-2	1000	750	1200	1000	7:1	3:1	M6 x 40	90 °
19-111-3	2300	1250	2500	1350	8:1	4:1	M8 x 50	90 °
19-111-4	3500	1800	3650	2000	9:1	4:1	M10 x 70	90 °
19-111-5	4500	2000	5000	2125	10:1	5:1	M12 x 80	90 °

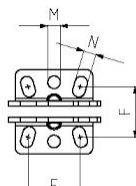
F1-F2 Exerting Force. F3-F4 Holding Capacity. Fi Applied Force



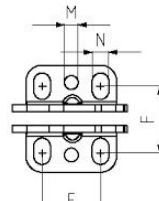
19-111-0



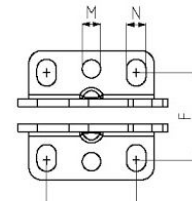
19-111-1



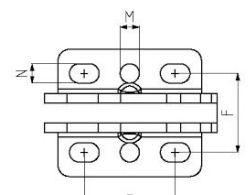
19-111-2



19-111-3



19-111-4



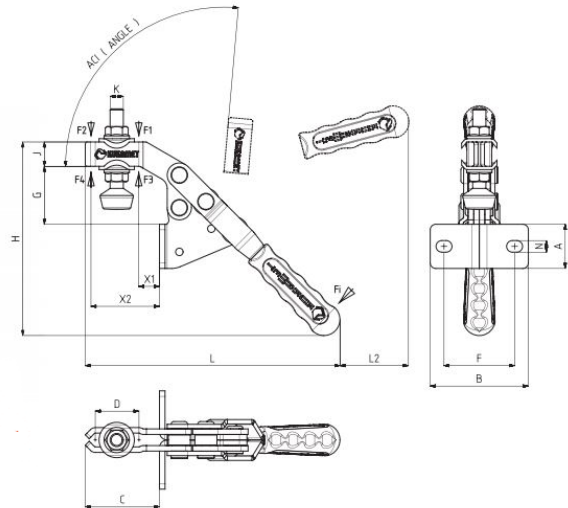
19-111-5

Part Number	A	B	C	D	E	F	G	H	H2	J	K	L	M	N	X1	X2
19-111-0	25	25	25.5	13	11-16	16	15	24	60	7.5	M4	82.5	-	4.5 x 7	11	18
19-111-1	33.5	32	43	28	13.5-23	17.5-20.5	21	40	95	10	M5	148	-	5 x 10	15	33
19-111-2	37	40	66	47	23.5-26	20-27.5	28	51	110	14	M6	184	6	6x 10	19	54
19-111-3	39.5	46.5	68	42	25.5	24-32.5	34	61	136	14	M8	215	6	7 x 11.5	25	53
19-111-4	58	60	100	73	41.5	36-43	45	82	175	19	M10	296	8.5	9 x 12.5	27	83
19-111-5	75	66	129	92	42-53	42	55	104	218	25.5	M12	345	10	10x 15.5	37	107

133 - Horizontal Toggle Clamps
Body Mounting Base: Side Mounting

Part Number	F1 (N)	F2 (N)	F3 (N)	F4 (N)	Fi		Compression Screw	Angle
					F1:Fi	F2:Fi		
19-133-5	4500	3250	5000	3500	8.5:1	6:1	M12 x 80	90 °

F1-F2 Exerting Force. F3-F4 Holding Capacity. Fi Applied Force



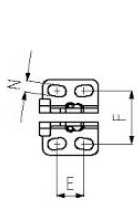
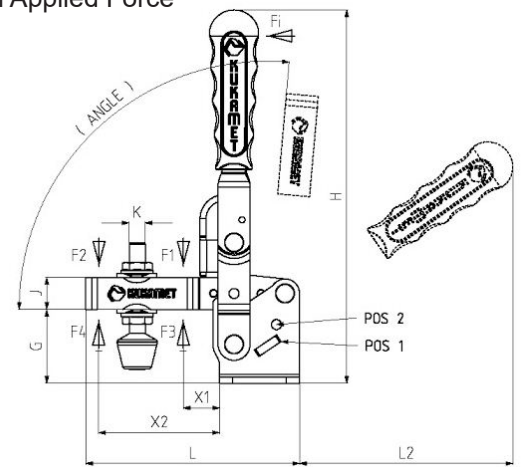
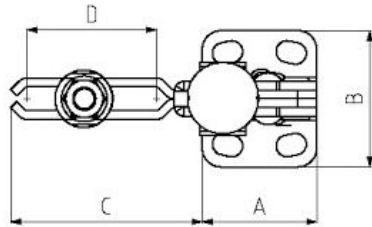
Part Number	A	B	C	D	F	G	H	J	K	L	L2	N	X1	X2
19-133-5	40	89	67.5	20	60-68	52.5	180	22	M12	233	62	10.5 x 14.5	21	56

211 - Vertical Toggle Clamps

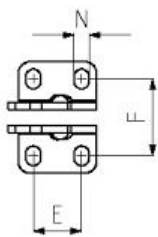
Body Mounting Base: Horizontal

Part Number	F1 (N)	F2 (N)	F3 (N)	F4 (N)	Fi		Compression Screw	Angle	
					F1:Fi	F2:Fi		POS1	POS2
19-211-0	550	350	700	455	10:1	5:1	M4 x 25	115 °	-
19-211-1	750	500	1000	680	12:1	8:1	M5 x 35	105 °	-
19-211-2	1200	700	1400	925	12:1	7.5:1	M6 x 40	105 °	-
19-211-3	2000	1400	2500	1560	11:1	8:1	M8 x 50	105 °	-
19-211-4	3000	2000	3300	2200	11.5:1	8:1	M10 x 70	135 °	105 °
19-211-5	4500	2500	5000	3000	12:1	7:1	M12 x 80	135 °	105 °

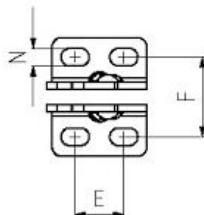
F1-F2 Exerting Force. F3-F4 Holding Capacity. Fi Applied Force



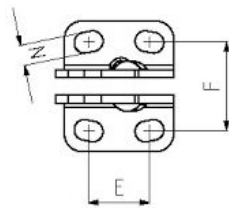
19-211-0



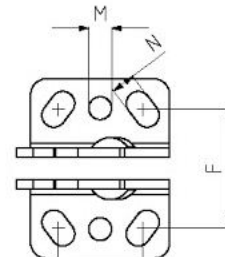
19-211-1



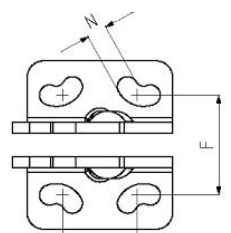
19-211-2



19-211-3



19-211-4



19-211-5

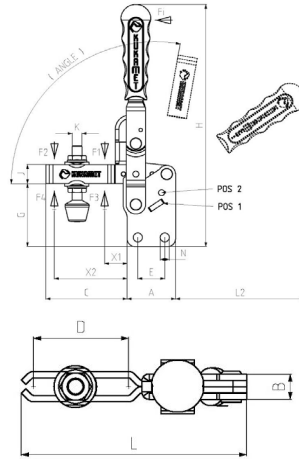
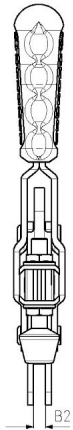
Part Number	A	B	C	D	E	F	G	H	J	K	L	L2	M	N	X1	X2
19-211-0	25	34	31	20	9-15.5	23.5-24	18	85	8	M4	56	50	-	5 x 8	11	22
19-211-1	26	37	44	26	16	24-27	23	125	10	M5	70	75	-	5 x 6.5	18	34
19-211-2	32	40	62	42	13-20	27	26	141	13	M6	94	85	-	6 x 9.5	20	50
19-211-3	40	47.5	67	42	19-25	31.5 - 32.5	37	187	16	M8	107	110	-	7.5 x 10.5	25	52
19-211-4	52	67	100	67	28-34.5	40 - 48.5	47	240	20	M10	152	160	8.5	9 x 14.5	34	82
19-211-5	65	75	130	88	24.5 - 45	44.5 - 52	58	263	25	M12	195	165	-	9 x 19.5	42	107

212 - Vertical Toggle Clamps

Body Mounting Base: Vertical

Part Number	F1 (N)	F2 (N)	F3 (N)	F4 (N)	Fi		Compression Screw	Angle	
					F1:Fi	F2:Fi		POS1	POS2
19-212-3	2000	1400	2500	1560	11:1	8:1	M8 x 50	105 °	-
19-212-4	3000	2000	3300	2200	11.5:1	8:1	M10 x 70	135 °	105 °

F1-F2 Exerting Force. F3-F4 Holding Capacity. Fi Applied Force

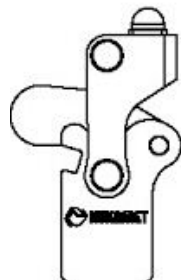
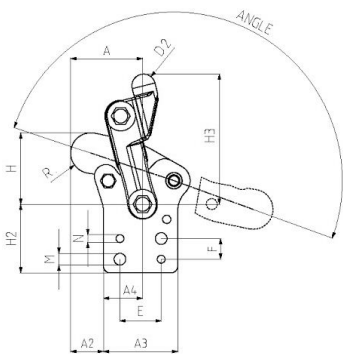


Part Number	A	B	B2	C	D	E	G	H	J	K	L	L2	M	N	X1	X2
19-212-3	40	12	6	67	42	22.5	52	202	16	M8	107	110	-	7.5	25	52
19-212-4	52	16	8	100	67	32	70	262	20	M10	152	160	8.5	9	34	82

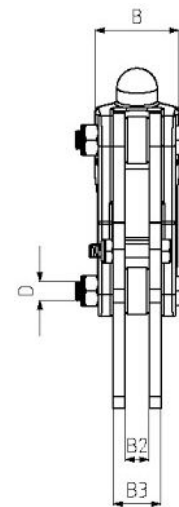
222 - Vertical Modular Toggle Clamps

Body Mounting Base: Vertical & Fixed

Part Number	F1 (N)	Angle
19-222-4	7000	190



Forged Steel Arm

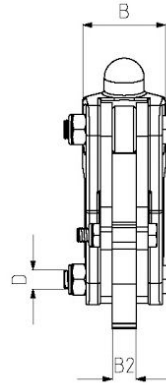
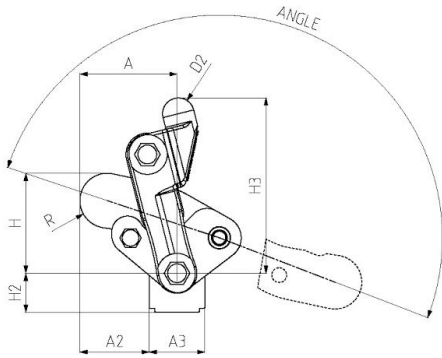


Part Number	A	A2	A3	A4	B	B2	B3	D	D2	E	F	H	H2	H3	M	N	R
19-222-4	52	23.5	54	28.5	36	10	20	M8	17	30	15	52	50	94.5	8.5	5.7	15

232 - Vertical Modular Toggle Clamps

Body Mounting Base: Vertical Moving

Part Number	F1 (N)	Angle
19-232-4	7000	190



Forged Steel Arm

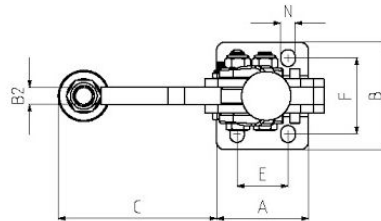
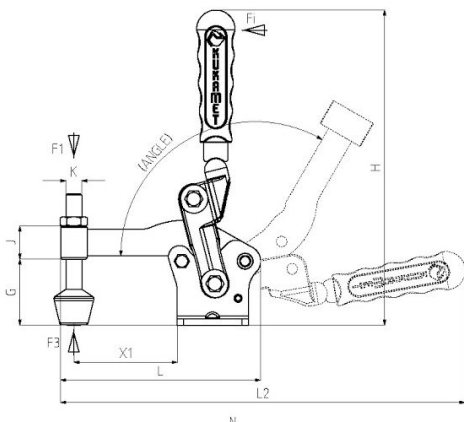


Part Number	A	A2	A3	B	B2	D	D2	H	H2	H3	R
19-232-4	52	37	30	36	10	M8	17	52	23	94.5	15

241 - Vertical Modular Toggle Clamps

Body Mounting Base: Horizontal

Part Number	F1 (N)	F3 (N)	Fi F1:Fi	Angle
19-241-4	1500	5000	5:1	120 °



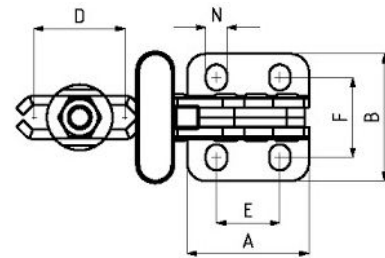
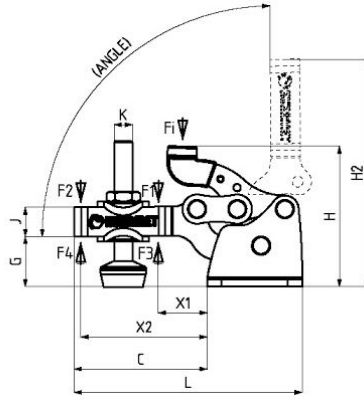
Part Number	A	B	B2	C	E	F	G	H	J	K	L	L2	N	X1
19-241-4	54	63	10	88	30	43-46	49	238	27	M12	151	323	8.5x00	78

251 - Compact Toggle Clamps

Body Mounting Base: Horizontal

Part Number	F1 (N)	F2 (N)	F3 (N)	F4 (N)	Fi		Angle
					F1:Fi	F2:Fi	
19-251-2	470	380	700	560	3:1	2:1	90 °
19-251-3	1400	1030	1625	1200	3:1	2:1	90 °
19-251-4	2000	1370	3370	2445	4:1	2.5:1	90 °

F1-F2 Exerting Force. F3-F4 Holding Capacity. Fi Applied Force



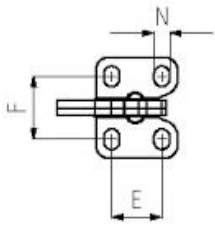
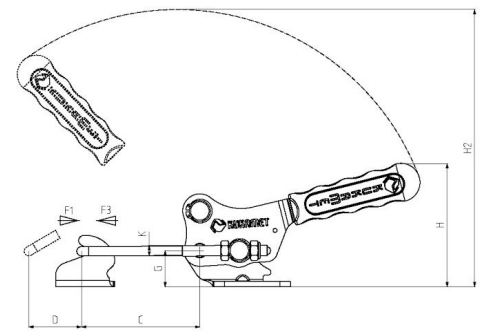
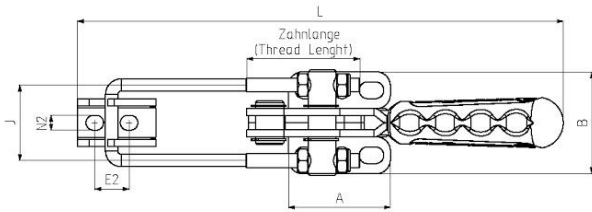
Part Number	A	B	C	D	E	F	G	H	H2	J	K	L	N	X1	X2
19-251-2	26	27	36	17	13.5	16-18	14	38	62	8	M5	62	4.5x5.5	19	27
19-251-3	44	47	56	27	23	29-31	23	63	100	13	M8	100	7.5x8.5	27	43
19-251-4	64	63	79	37	35	38-41	35	93	143	19	M10	143	9x10.5	39	63

311 - Latch Toggle Clamps with U Hook

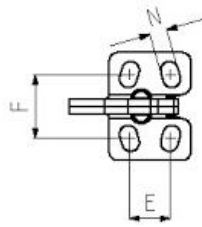
Body Mounting Base: Horizontal

Part Number	F1 (N)	F3 (N)	Thread Length
19-311-1	1000	1500	40
19-311-2	1500	2000	35
19-311-3	2200	3200	35
19-311-4	7000	8000	50
19-311-5	10000	11000	70

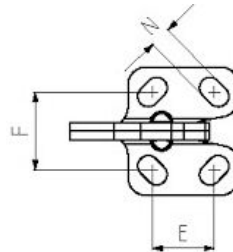
F1 Exerting Force. F3 Holding Capacity



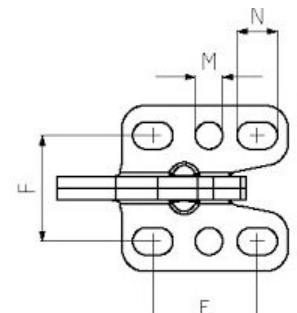
19-311-1



19-311-2



19-311-3



19-311-4 &
19-311-5

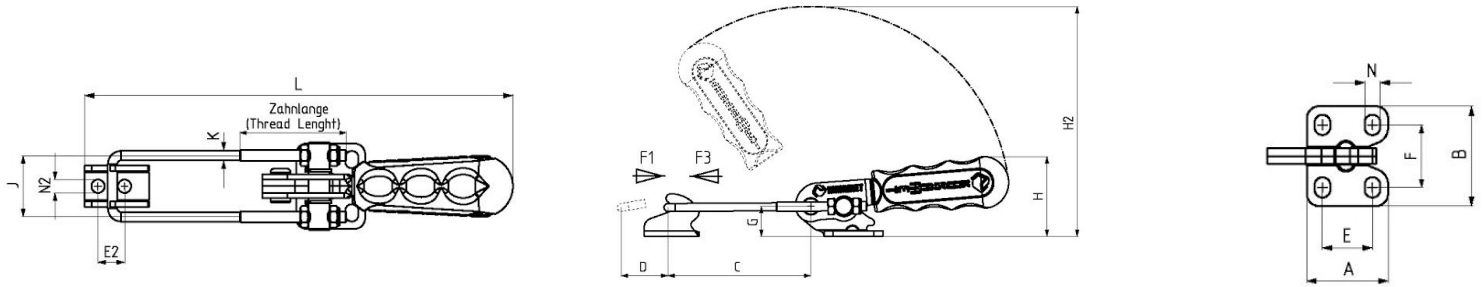
Part Number	A	B	C min.	C max.	D	E	E2	F	G	H	H2	J	K	L min.	L max.	M	N	N2
19-311-1	26	32	25	65	20	16	10	18.5-21.5	13	55	110	23	M4	125	165	-	5x6.5	5
19-311-2	28	37	25	60	25	13-15	10-14	19-24.5	17	58	120	23	M4	135	170	-	6 x 9	5.5x8
19-311-3	39.5	46	35	70	35	19-25	16	25-31	21.5	67	160	30	M6	175	210	-	7.5 x 11.5	6.5
19-311-4	58	58	45	95	44	32-41	18-21	37	27.5	91	200	43	M8	230	280	9.5	9.5x14	8.5x10
19-311-5	58	58	55	125	44	32-41	18-21	37	27.5	93	204	45	M10	241	311	9.5	9.5x14	8.5x10

321 - Latch Toggle Clamp with U Hook

Body Mounting Base: Horizontal

Part Number	F1 (N)	F3 (N)	Thread Length
19-321-1	1000	1500	40

F1 Exerting Force. F3 Holding Capacity



Part Number	A	B	C min.	C max.	D	E	E2	F	G	H	H2	J	K	L min.	L max.	N	N2
19-321-1	26	32	25	65	20	16	10	18.5-21.5	13	35	100	23	M4	125	165	5x6.5	5

341 - Latch Toggle Clamps with U Hook

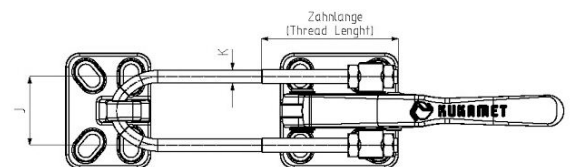
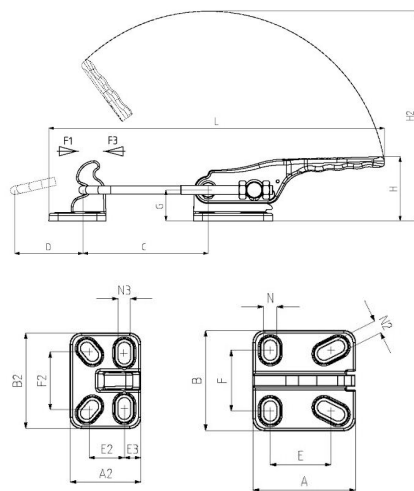
Body Mounting Base: Casting

Part Number	F1 (N)	F3 (N)	Thread Length
19-341-4	15000	17000	90

F1 Exerting Force. F3 Holding Capacity

Features

- Strong & suitable for heavy duty
- Base, arm and stretching part are made of strong GGG-60 casting material, painted with black electroplastic powder paint
- Hook & pins made from steel, galvanized for corrosion resistance



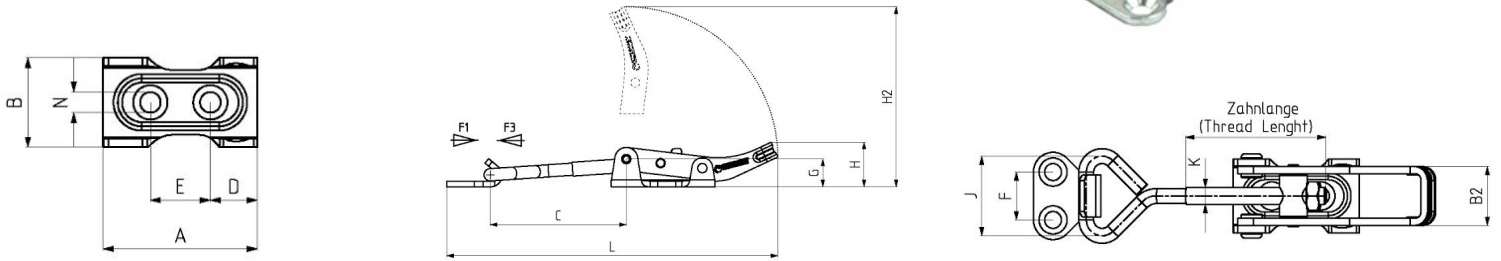
Part Number	A	A2	B	B2	C min.	C max.	D	E	E2	E3	F	F2	G	H	H2	J	K	L min.	L max.	N	N2	N3
19-341-4	86	62	84	84	50	140	80	45-57	28-33	15	45-57	45-57	33.5	69	230	50	M10	275	365	11x17	11x24	11x19

361 - Light Duty Latch Toggle Clamp with U Hook

Body Mounting Base: Horizontal

Part Number	F1 (N)	F3 (N)	Thread Length
19-361-2	1500	1725	34

F1 Exerting Force. F3 Holding Capacity



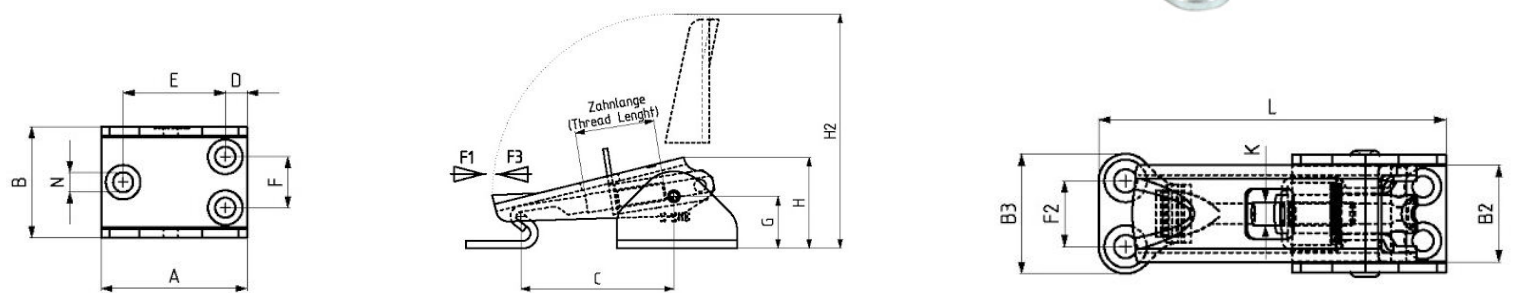
Part Number	A	B	B2	C min	C max	D	E	F	G	H	H2	J	K	L min	L max	N
19-361-2	45	26	21	26	60	13.75	17.5	17	12	19.5	78	28.5	M6	111	145	6

362 - Light Duty Latch Toggle Clamp with U Hook

Body Mounting Base: Horizontal

Part Number	F1 (N)	F3 (N)	Thread Length
19-362-1	1400	1650	15
19-362-2	1600	1800	15

F1 Exerting Force. F3 Holding Capacity



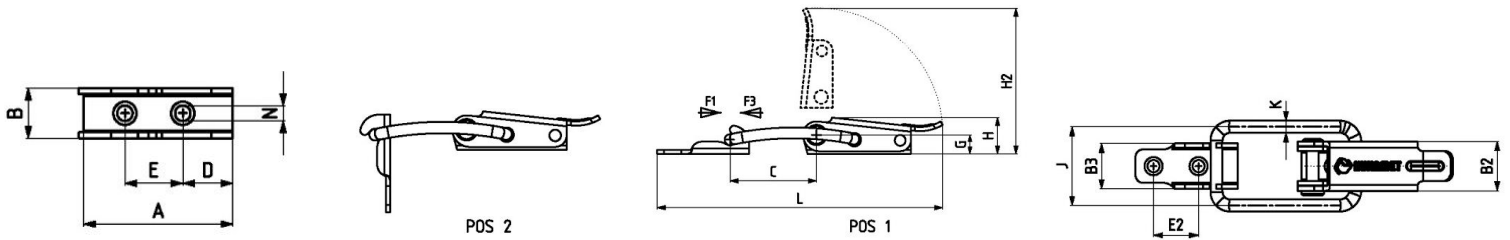
Part Number	A	B	B2	B3	C min	C max.	D	E	F	F2	G	H	H2	K	L min	L max	N
19-362-1	40	29.5	24	31	47	62	6	28	14	17	17	30	78	M6	86	101	5.5
19-362-2	40	30.5	25	31	47	62	6	28	14	17	17	30	78	M8	86	101	5.5

363 - Light Duty Latch Toggle Clamp with U Hook

Body Mounting Base: Horizontal

Part Number	F1 (N)	F3 (N)
19-363-2	1500	1725

F1 Exerting Force. F3 Holding Capacity



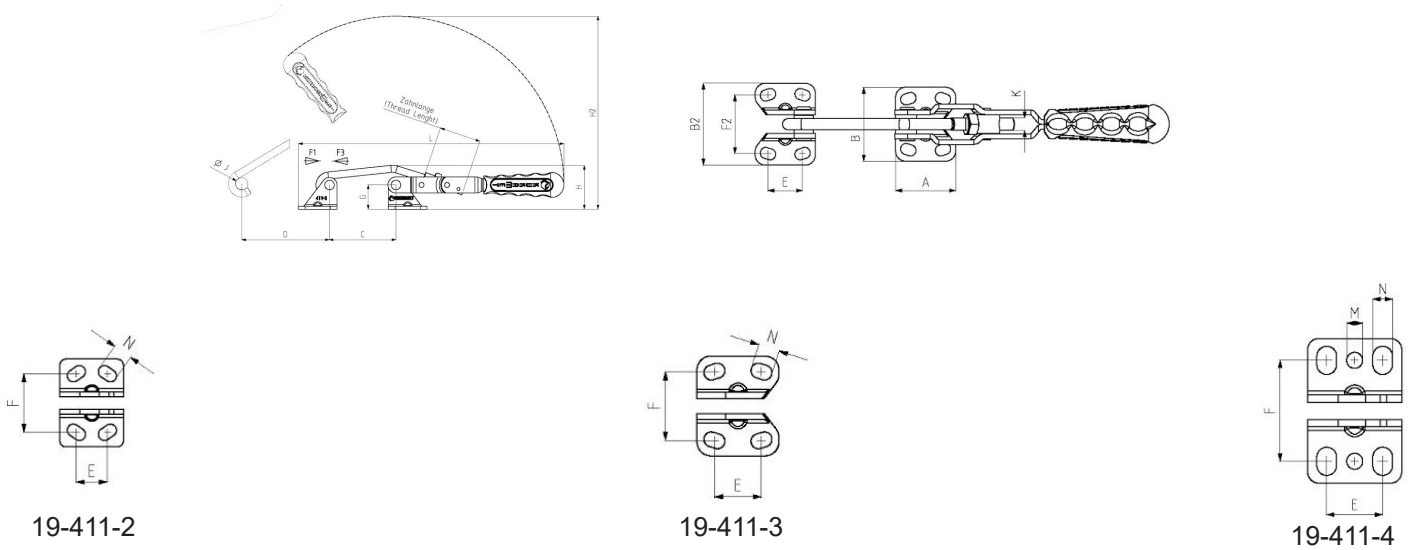
Part Number	A	B	B2	B3	C	D	E	E2	G	H	H2	J	K	L	N
19-363-2	38.3	13	16.3	15	32	13	15	15	7	13.5	54	25	4	106	4

411 - Latch Toggle Clamp with C Hook

Body Mounting Base: Horizontal

Part Number	F1 (N)	F3 (N)	Thread Length
19-411-2	1500	1800	15
19-411-3	2000	2500	15
19-411-4	3500	4000	25

F1 Exerting Force. F3 Holding Capacity



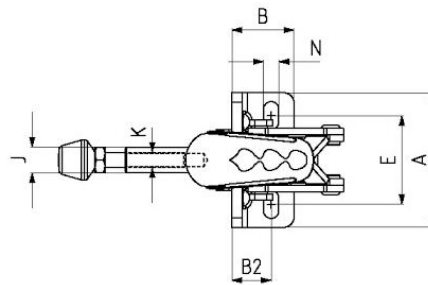
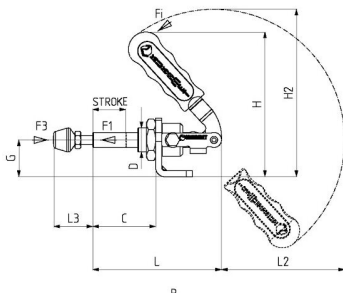
Part Number	A	B	B2	C min	C max.	D	E	F	F2	G	H	H2	J	K	L min	L max	M	N
19-411-2	31	43	47	45	60	50	12-18	26.5-30.5	30.5-34.5	26	38	155	9	M6	200	215	-	6 x 9.5
19-411-3	38.5	47	52	60	75	80	19-25	31.5-33	36.5-38	24	42	190	12	M8	255	270	-	7 x 10
19-411-4	50	77	84	75	100	130	30	49-50	56-65	40	61	253	16	M10	335	360	8.5	10.5x15

511 - Straight Line Push-Pull Type Toggle Clamps

Body Mounting Base: Horizontal

Part Number	F1 (N)	F3 (N)	Fi F1:Fi	Compression Screw	Stroke
19-511-1	800	970	24:1	M5 x 35	22
19-511-2	1500	1700	26:1	M6 x 40	27
19-511-3	2500	2640	27:1	M8 x 50	38
19-511-5	3500	3700	38:1	M10 x 70	53

F1 Exerting Force. F3 Holding Capacity. Fi Applied Force



Part Number	A	B	B2	C	D	E	G	H	H2	J	K	L	L2	L3 min	L3 max	N
19-511-1	45	20	11.5	34	M12x1.5	22.5-32.5	19.5	72.5	85	8	M5	69	60	15	38	5.5x10.5
19-511-2	53	24.5	15.5	42	M16x1.5	30-40	24.5	96	111	10	M6	86	80	19	46	6x11
19-511-3	60	30	17.5	56	M20 x1.5	33.5-42.5	30.5	137	120	12	M8	116	80	24	58	6.5x11
19-511-5	78	36	21	75	M24x1.5	45-57	38	152	179	14	M10	155	135	32	74	8.5x16

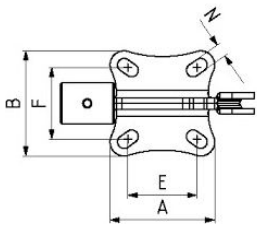
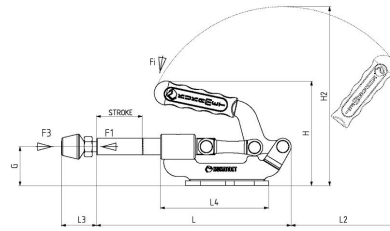
521 - Straight Line Push-Pull Type Toggle Clamps

Body Mounting Base: Horizontal with Welding

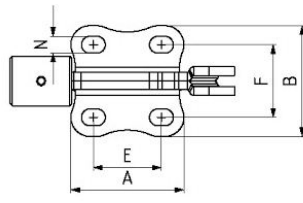
Part Number	F1 (N)	F3 (N)	Fi F1:Fi	Compression Screw	Stroke
19-521-3-012	2960	3200	16:1	M8 x 50	38
19-521-4-018	4500	7200	23:1	M10 x 70	47
19-521-5-020	7500	15000	30:1	M12 x 80	55



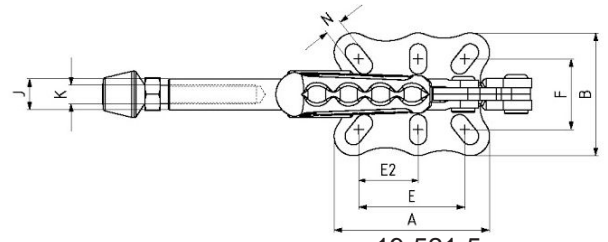
F1 Exerting Force. F3 Holding Capacity. Fi Applied Force



19-521-3



19-521-4



19-521-5

Part Number	A	B	E	E2	F	G	H	H2	J	K	L	L2	L3 min	L3 max	L4	N
19-521-3-012	56	56	32.5-41	-	35-41	32	88	142	12	M8	154	85	24	58	83	7x12
19-521-4-018	64	62	34.5-42.5	-	41	40	107	179	18	M10	186	105	32	81	98	9.5 x 13.5
19-521-5-020	100	79	61.5-75	34.5-41.5	37-54	47	125	216	20	M12	234	125	39	94	130	11 x 22

532 - Straight Line Push-Pull Type Toggle Clamps

Body Mounting Base: Horizontal Casting

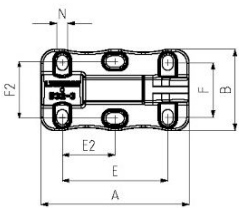
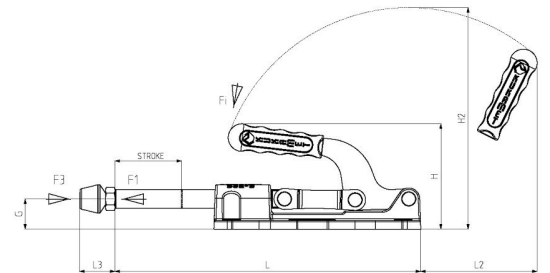
Part Number	F1 (N)	F3 (N)	Fi F1:Fi	Compression Screw	Stroke
19-532-3-012	2500	3700	16:1	M8 x 50	38
19-532-4-018	4500	8800	23:1	M10 x 70	47
19-532-5-020	7500	18450	30:1	M12 x 80	100



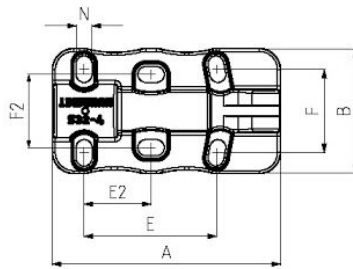
F1 Exerting Force. F3 Holding Capacity. Fi Applied Force

Features

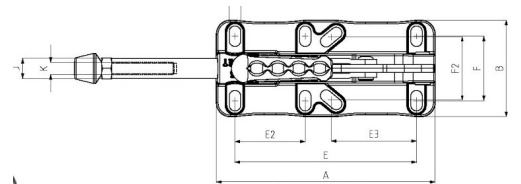
- Strong & suitable for heavy duty use
- Body made from GGG-60 casting material and painted with black electrostatic powder paint
- Rod made from hard chrome plated material for high wear and corrosion resistance
- Mechanism parts made from steel, galvanized for corrosion resistance



19-532-3



19-532-4



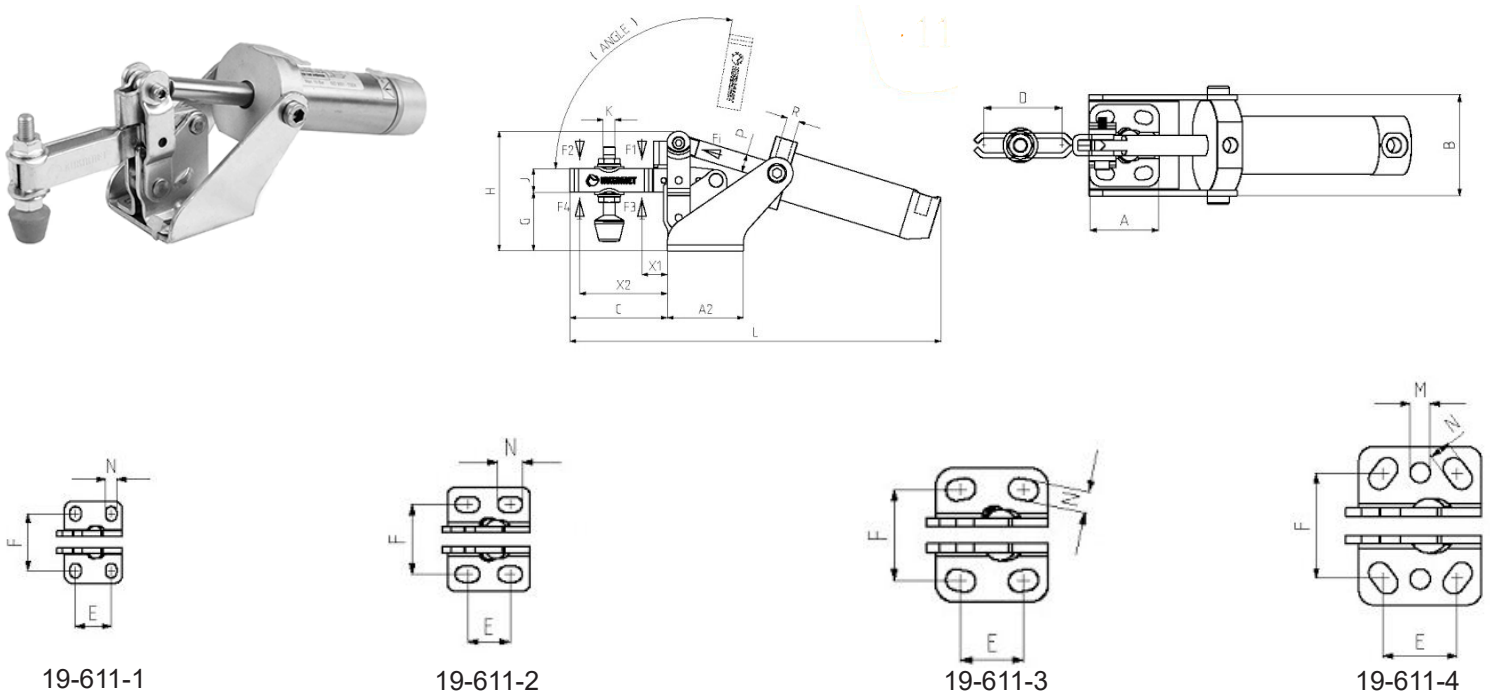
19-532-5

Part Number	A	B	E	E2	E3	F	F2	G	H	H2	J	K	L	L2	L3 min	L3 max	N
19-532-3-012	107	59	76.5	35.5-41	-	36.5-42.5	41	17.5	73	127	12	M8	156	81	24	58	8 x 13.5
19-532-4-018	130	71	74.5-75.5	35-41	-	41.5-53	41.5	20.5	86	159	18	M10	188	94	32	81	9 x 15
19-532-5-020	218	96	180.5	70	80-90	55-73	54-70.5	31.8	111	234	20	M12	322	122	39	94	11 x 20.5

611 - Pneumatic Toggle Clamps
Body Mounting Base: Horizontal , Tied Front

Part Number	F1 (N)	F2 (N)	F3 (N)	F4 (N)	Fi (N)	VN (dm3)	Angle	Bar
19-611-1-016	600	400	1000	680	120	0.09	95 °	6
19-611-1-020	750	500	1000	680	190	0.14	95 °	6
19-611-2	1200	700	1400	925	300	0.25	95 °	6
19-611-3	2000	1400	2500	1560	500	0.51	95 °	6
19-611-4	3000	2000	3300	2200	760	1.04	95 °	6

F1-F2 Exerting Force. F3-F4 Holding Capacity. Fi Applied Force



Part Number	A	A2	B	C	D	E	F	G	H	J	K	L	M	N	X1	X2	P	R
19-611-1-016	26	34	44	42	26	16	24-27	25	52	10	M5	185	-	5 x 6.5	16	32	6	G1/4
19-611-1-020	26	34	44	44	26	16	24-27	25	52	10	M5	192	-	5 x 6.5	16	32	8	G1/8
19-611-2	32	42	51	60	42	13-20	27	29	61	13	M6	225	-	6 x 9.5	18	48	10	G1/8
19-611-3	40	52	58	66.5	42	19-25	31.5-32.5	40	81	16	M8	253.5	-	7.5 x 10.5	25	52	12	G1/8
19-611-4	52	95	77	98.5	67	28-34.5	40-48.5	50	104	20	M10	323	8.5	9 x 14.5	32	80	16	G1/8

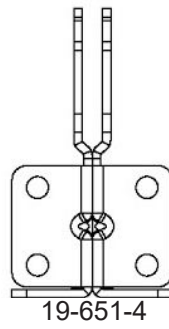
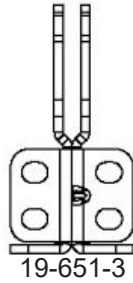
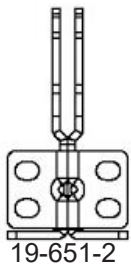
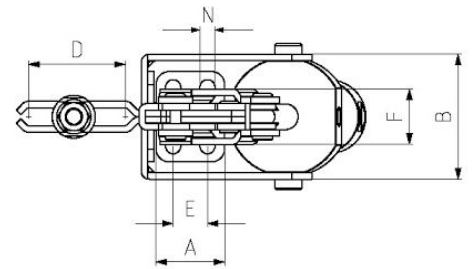
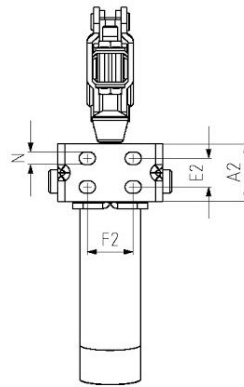
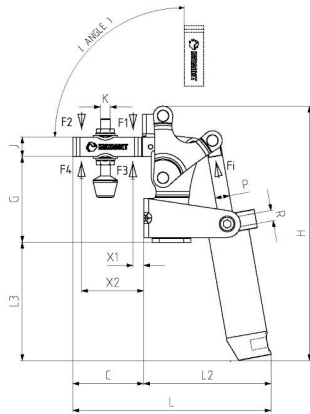
Pneumatic cylinders are double acting, magnetic & cushioning

651 - Pneumatic Toggle Clamps

Body Mounting Base: Vertical

Part Number	F1 (N)	F2 (N)	F3 (N)	F4 (N)	Fi (N)	VN (dm3)	Angle	Bar
19-651-2	1200	700	1400	925	300	0.25	100 °	6
19-651-3	2000	1400	2500	1560	500	0.51	100 °	6
19-651-4	3000	2000	3300	2200	750	1.04	100 °	6

F1-F2 Exerting Force. F3-F4 Holding Capacity. Fi Applied Force



Part Number	A	A2	B	C	D	E	E2	F	F2	G	H	J	K	L	L2	L3	N	X1	X2	P	R
19-651-2	26	26	51	54	42	12.5	12.5	25-29	25-29	65	180	13	M6	146	92	82	6x8	12	42	10	G1/8
19-651-3	32	32	60	57	42	16	16	23.5-27.5	23.5-27.5	70.5	210	16	M8	164	106	98	7x9	15	42	12	G1/8
19-651-4	50	50	79	89	67	32	32	45	45	100	255	20	M10	230	141	101	9	22	70	16	G1/8

Pneumatic cylinders are double acting, magnetic & cushioning

811 - Squeezing Type Toggle Clamps

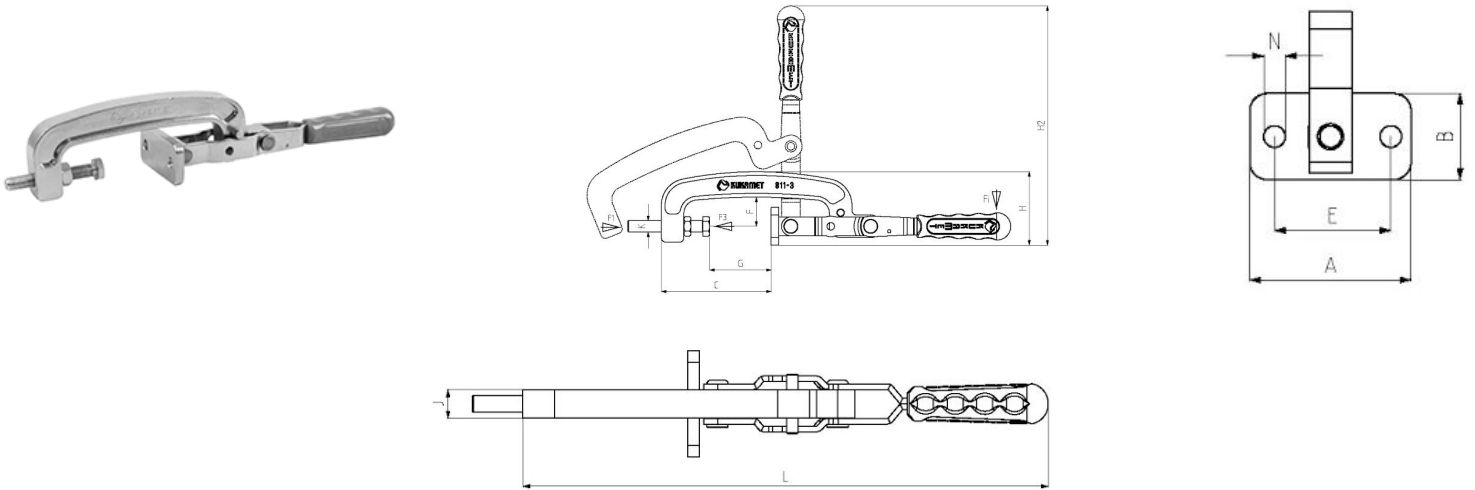
Body Mounting Base: Horizontal

Part Number	F1 (N)	F3 (N)	Fi F1:Fi
19-811-2	3500	4500	36:1
19-811-3	4000	6000	38:1

Features

- Strong & suitable for heavy duty
- Clamping jaw made from hot forged steel

F1 Exerting Force. F3 Holding Capacity. Fi Applied Force



Part Number	A	B	C	E	F	G min	G max.	H	H2	J	K	L	N
19-811-2	68	38	100	45	28	35	68	69	265	16	10	337	8
19-811-3	78	38	118	54	31	21	80	77	253	20	12	372	10

Toggle Clamps - Also Available



Horizontal Toggle Clamps with Solid Arm



Vertical Toggle Clamps with Solid Arm



Pneumatic Push-Pull Toggle Clamps



Heavy Duty Pneumatic Toggle Clamps



Combined Toggle Clamps



Pneumatic Swing Clamps



Pneumatic Flange Mount Toggle Clamps

