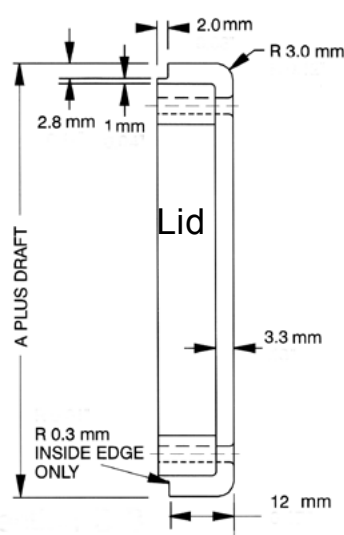
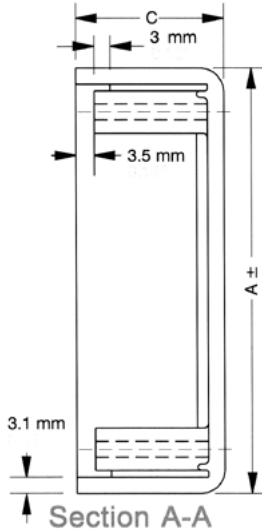
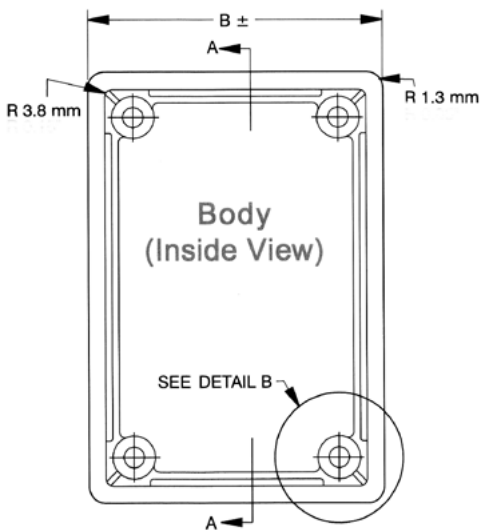


Hammond Economy / FRABS Heavy Duty Boxes - 1594/S/W

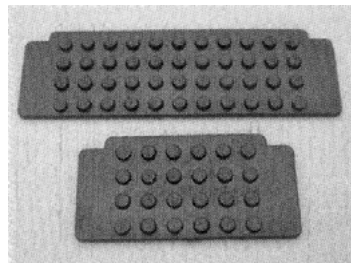
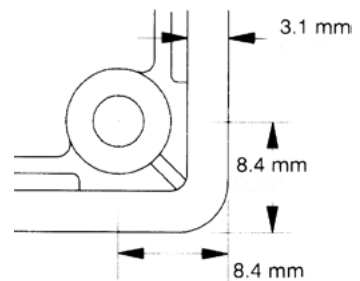
Rugged electronic instrument enclosure with provision for mounting PCBs.

- Splash and dust proof box designed for IP54.
- Available in black or grey with matte textured finish.
- Individually shrink wrapped for protection.
- Material: Economy Plastic or flame retardant ABS plastic with a UL flammability rating of 94-V0
- Also available in Black and Grey.
- Watertight version meets IP65—WBK and WGY
- Average wall thickness of 3.3mm.



For detailed drawings & CAD files visit website: www.hammondmfg.com

Detail B Typical 4 corners



PCB Adaptors available to allow for vertical or horizontal mounting of PC board .

Economy Plastic Boxes

Unit assembled with black anodized countersunk self tapping #4 x 25mm Phillips screws.

ABS Boxes

Unit assembled with M3 x 20 Phillips countersunk machine screws into tapped brass inserts.

Part Number			Length A	Width B	Height C Base	Height including Lid
Black/Grey Economic Plastic	Black/Grey FR ABS	Black/ Grey FR Watertight Version				
26-1594ASBK/GY	26-1594ABK/GY	26-1594AWBK/GY	56	56	28	40
26-1594BSBK/GY	26-1594BBK/GY	26-1594BWBK/GY	81	56	28	40
26-1594CSBK/GY	26-1594CBK/GY	26-1594CWBK/GY	105	66	33	45
26-1594DSBK/GY	26-1594DBK/GY	26-1594DWBK/GY	131	66	43	55
26-1594ESBK/GY	26-1594EBK/GY	26-1594EWBK/GY	167	107	53	65