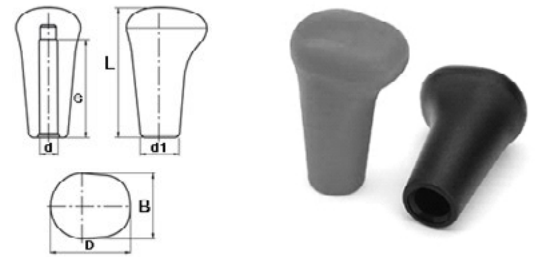


4709 – Thermoplastic Handle

This handle is made of Thermoplastic: oil and grease resistant

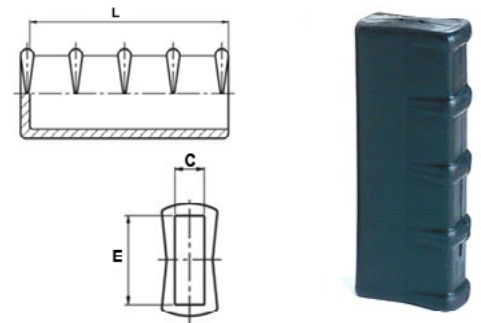
Part Number	D	B	d	d1	e	L
11-HPG50M12	50	40	12	26	75	80
11-HPG50M14	50	40	14	26	75	80
11-HPG50M16	50	40	16	26	75	80



4718 – Polyethylene Handle

Polyethylene

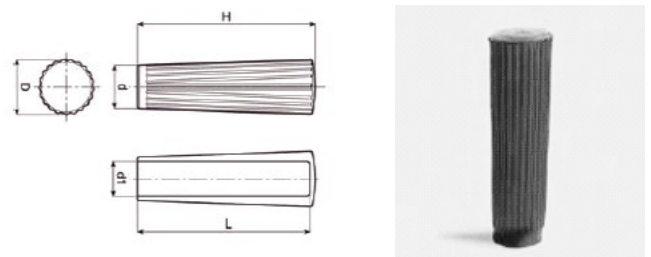
Part Number	L	c	m
11-HPR5X20-79	75	5	20
11-HPR6X20-79	75	6	20
11-HPR8X20-79	75	8	20
11-HPR10X20-79	75	10	20
11-HPR10X28-100	94	10	28
11-HPR10X30-100	94	10	30



4717 – Polyethylene Handle

Black Polyethylene

Part Number	D	d1	d	H	L
11-HRRTB20-105	32	20	25	104	100



4708- Revolving Handle

Black Polyamide and cap grey • Zinc-plated steel thread

Part Number	D	d	L	D1	D2	D3	Q	h3
11-HPGR64S10	40	M10	64	23	22	20.5	40	34.5

