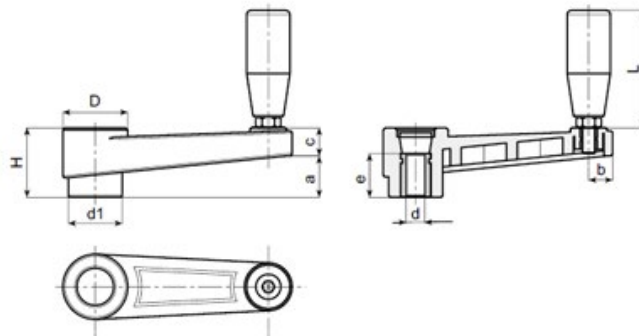


### 4715 - Crank Handle with Smooth Insert & Revolving Handle

Central blind treated smooth steel insert

• PA : Black Reinforced Polyamide

Part Number	R	H	d1	D	d	e	c	a	L	b
11-HPBF65	65	29	22	27	5	20	13	17	56	10
11-HPBF80	80	33	26	31	5	24	13	18	56	11
11-HPBF110	110	39	29	34	5	28	14	25	66	12



### 4716K- Crank Handle with Threaded Insert & Fold Away Revolving Handle

Threaded female brass insert

• PA : Black Reinforced Polyamide

Part Number	R	H	d1	D	d	e	c	a	L	b
11-HCPBF65M8	65	30	22	26	M8	15	13	17	54	10
11-HCPBF80M8	80	33	26	30	M8	18	13	19	54	11
11-HCPBF65M10	65	30	22	26	M10	15	13	17	54	10
11-HCPBF80M10	80	33	26	30	M10	18	13	19	54	11
11-HCPBF80M12	80	33	26	30	M12	18	13	19	54	11

