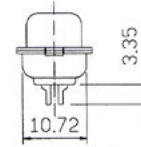
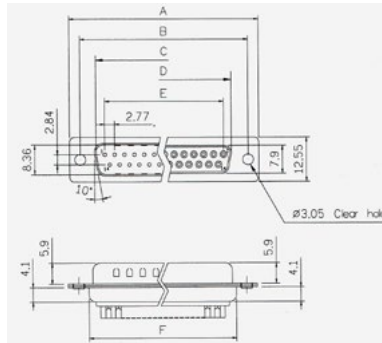


## D-SUB Straight Solder Type

- Quality Brass (Male) or Phosphor Bronze (Female) Gold Plated Contacts.
- Housing PBT 30% Glass (UL94VO.)
- Current Rating: 5A
- Contact Resistance: 30mΩ max at 100mA DC
- Dielectric Strength: 1000VAC for 1 min.
- Operating Temp. -55°C to +105°C.

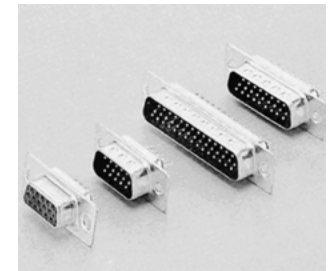
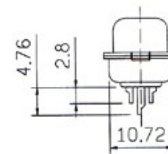
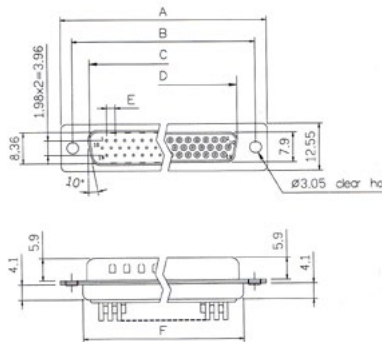


Part No 32-100 xx  
P(Male) or S(Female)  
xx = No of Contacts (09,15,25,37 or 50)

Positions	A	B	C	D	E	F
9	30.81	24.99	16.92	16.33	11.08	19.20
15	39.14	33.32	25.50	24.66	19.39	27.70
25	53.04	47.04	38.96	38.38	33.24	41.10
37	69.32	63.50	55.42	54.84	49.86	57.30

## D-SUB Straight Solder Type High Density

- Quality Brass (Male) or Phosphor Bronze (Female) Gold Plated Contacts.
- Housing PBT 30% Glass (UL94VO.)
- Current Rating: 3A
- Contact Resistance: 20mΩ max at 1A DC
- Dielectric Strength: 1000VAC for 1 min.
- Operating Temp. -55°C to +105°C.



Part No 32-104 xx  
P(Male) or S(Female)  
xx = No of Contacts (15,26,44,62 or 78)

Positions	A	B	C	D	E	F
15	30.81	24.99	16.92	16.33	2.29	19.20
26	39.14	33.32	25.50	24.66	2.29	27.70
44	53.04	47.04	38.96	38.38	2.29	41.10
62	69.32	63.50	55.42	54.84	2.41	57.30