

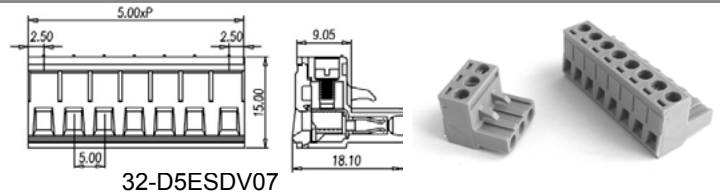
Plug & Header System - 5.0mm & 5.08mm (0.2") Pitch

Versatile system assists design, testing & servicing. Elevator Style Cage for positive clamping. Polarised Design.
 Rating: 10A @ 300V. Wire Size : 3.3mm² Max. - Approvals : UL , VDE, CSA, FI, Δ

Straight Terminal Female Plug

Clamp: Phosphor Bronze 0.4t Solder Plated, Zinc Plated Steel Cage
 Housing: Polyamide 6.6 Green (UL94V0)

Part No. 32-D5ESDVxx 5.0mm Pitch
Part No. 32-D2ESDVxx 5.08mm Pitch
 xx = No of Poles
 (2, 3, 4, 5, 6, 7, 8, 9, 10, 12,14 & 16 poles)



Right Angle Terminal Female Plug

Clamp : Phosphor Bronze 0.4t Solder Plated, Zinc Plated Steel Cage
 Housing : Polyamide 6.6 Green (UL94V0)

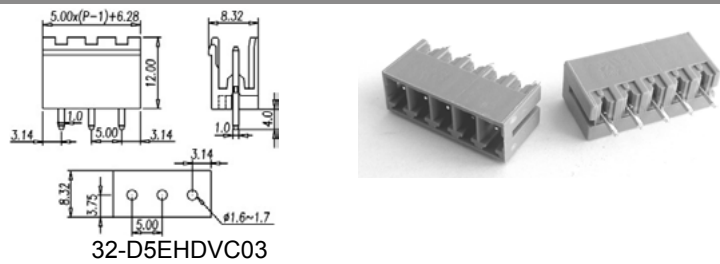
Part No. 32-D5ESDRxx 5.0mm Pitch
Part No. 32-D2ESDRxx 5.08mm Pitch
 xx = No of Poles
 (2, 3, 4, 5, 6, 7, 8, 9, 10, 12,14 & 16 poles)



Vertical PCB Mount Header

Mates with ESDV & ESDR Plug
 Solder Pin: Brass Tin Plated 1.0 x1.0mm
 Housing: Polyamide 6.6 Green (UL94V0)
 Closed ends to prevent cross connection.

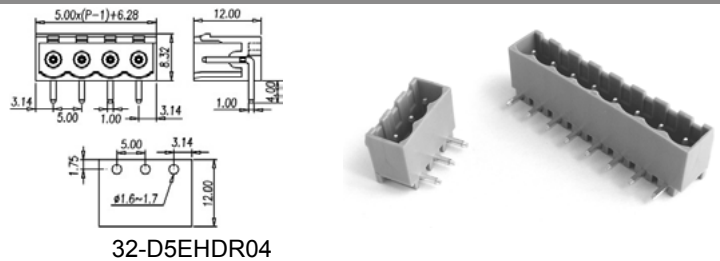
Part No. 32-D5EHDVCxx 5.0mm Pitch
Part No. 32-D2EHDVCxx 5.08mm Pitch
 xx = No of Poles
 (2, 3, 4, 5, 6, 7, 8, 9, 10, 12,14 & 16 poles)



Horizontal PCB Mount Header

Mates with ESDV & ESDR Plug
 Solder Pin: Brass Tin Plated 1.0 x1.0mm
 Housing : Polyamide 6.6 Green (UL94V0)
 Closed ends to prevent cross connection.

Part No. 32-D5EHDRcxx 5.0mm Pitch
Part No. 32-D2EHDRcxx 5.08mm Pitch
 xx = No of Poles
 (2, 3, 4, 5, 6, 7, 8, 9, 10, 12,14 & 16 poles)



Plug & Header Retaining Screw Series

Straight Terminal Female Plug

Part No 32- D5ESDVMxx 5.0mm Pitch
 Part No 32- D2ESDVMxx 5.08mm Pitch

Right Angle Terminal Female Plug

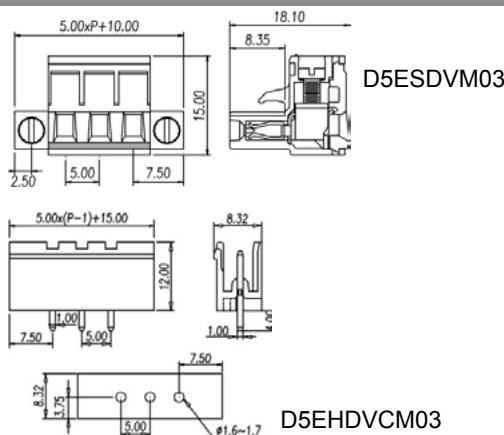
Part No 32- D5ESDRMxx 5.0mm Pitch
 Part No 32- D2ESDRMxx 5.08mm Pitch

Vertical PCB Mount Header

Part No 32- D5EHDVCMxx 5.0mm Pitch
 Part No 32- D2EHDVCMxx 5.08mm Pitch

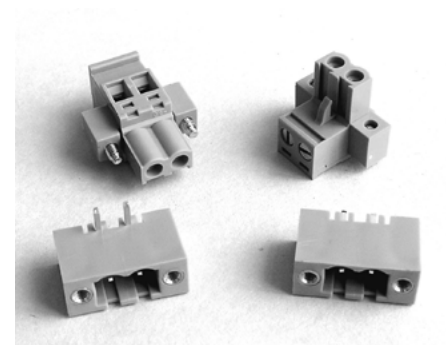
Horizontal PCB Mount Header

Part No 32- D5EHDRCMxx 5.0mm Pitch
 Part No 32- D2EHDRCMxx 5.08mm Pitch



D5ESDRM02

D5ESDVM02



D5EHDRCM02

D5EHDVCM02