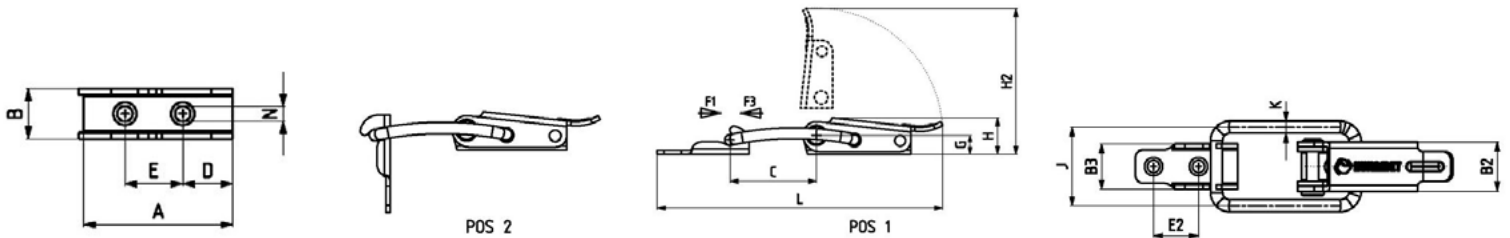


### 363-Light Duty Latch Toggle Clamp with U Hook

Body Mounting Base: Horizontal

Part Number	F1 (kg)	F3 (kg)
19-363-2	152	175

F1 Exerting Force. F3 Holding Capacity



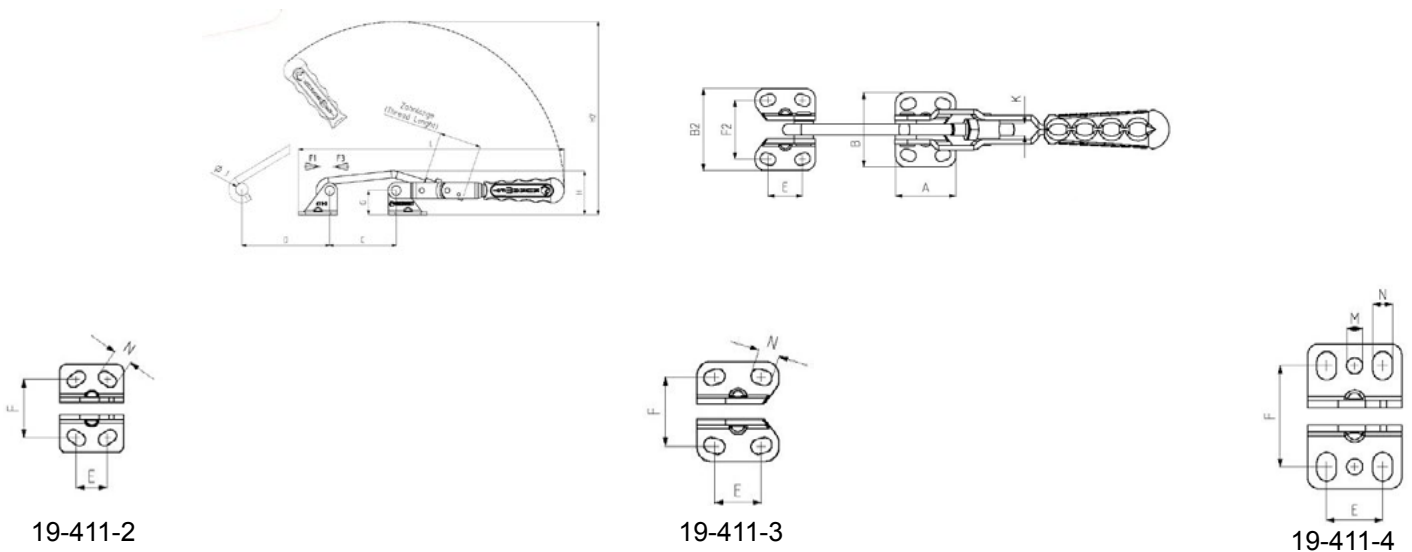
Part Number	A	B	B2	B3	C	D	E	E2	G	H	H2	J	K	L	N
19-363-2	38.3	13	16.3	15	32	13	15	15	7	13.5	54	25	4	106	4

### 411-Latch Toggle Clamp with C Hook

Body Mounting Base: Horizontal

Part Number	F1 (kg)	F3 (kg)	Thread Length
19-411-2	152	183	15
19-411-3	203	254	15
19-411-4	356	407	25

F1 Exerting Force. F3 Holding Capacity



Part Number	A	B	B2	C min	C max.	D	E	F	F2	G	H	H2	J	K	L min	L max	M	N
19-411-2	31	43	47	45	60	50	12-18	26.5-30.5	30.5-34.5	26	38	155	9	M6	200	215	-	6 x 9.5
19-411-3	38.5	47	52	60	75	80	19-25	31.5-33	36.5-38	24	42	190	12	M8	255	270	-	7 x 10
19-411-4	50	77	84	75	100	130	30	49-50	56-65	40	61	253	16	M10	335	360	8.5	10.5x15